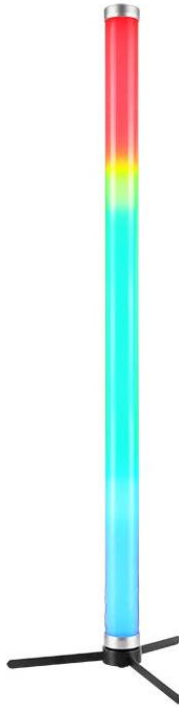




LEAHUA



Tube180

LH -T180

This manual contains important information.
Please read before operating fixture.

Guangzhou Leahua Lighting Technology Ltd
[http:// www.leahualighting.com](http://www.leahualighting.com)

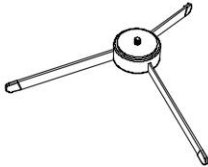
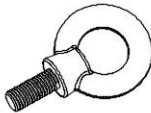
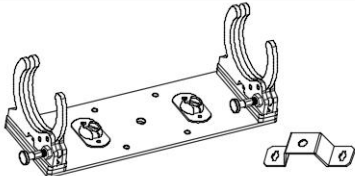
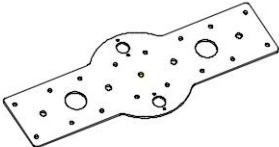


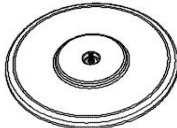
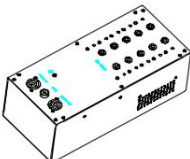
Index

1. Safety Instructions	3
2. Product explosion diagram	4
3. Technical Specifications	5
4. Operation	8
4.1 Front panel operation	8
4.2 Board instruction:	8
4.3 DMX address setting	10
5. DMX Protocol	13
6. Installation	14
6.1 Mounting & Rigging	14
7. Maintenance & Cleaning	18
7.1 Cleaning	18
7.2 Lubrication	18
7.3 Troubleshooting	18

Accessories

Name	Quantity	Remark
User manual	1pc	
Tube	1pc	
Ring	2pc	
Tripod	1pc	
DMX Cable	2pc	
Charge Cable	1pc	

Parts list

			
NAME	Small tripod	NAME	Rings
Standard accessories		Standard accessories	
			
NAME	Wing plate	NAME	4 in one fixing plate
Optional accessories		Optional accessories	
			
NAME	Adapting piece	NAME	Big tripod
Optional accessories		Optional accessories	
			
NAME	Support base	NAME	Charging box
Optional accessories		Optional accessories	

1. Safety Instructions

WARNING!!! To reduce the risk of fire, electric shock, or injury to persons, follow these important safety instructions:

- Check before use

Before operation, inspect the fixture for transportation damage. Do not use it if damaged. Unauthorized modification or improper use is not covered by warranty.

- Environment

The fixture is IP65-rated, suitable for indoor/outdoor use, and can operate in humid or dusty areas. Keep it away from excessive heat, fire, vibration, electrical surges, and strong light.

- Personnel & operation

Installation and operation must be performed by qualified personnel. Ensure all covers are securely in place, wear protective gear, and do not open the housing or attempt self-maintenance.

- Optical safety

Do not look directly into the light source. Do not use with dimmer packs. Maintain a minimum distance of 20 m from illuminated surfaces, and replace damaged optical components immediately.

- Electrical safety

Ensure correct voltage, proper grounding, and compliant power cords. Do not use damaged cables, and unplug by holding the plug. Avoid operating under heavy rain or extreme humidity, and avoid frequent on/off switching.

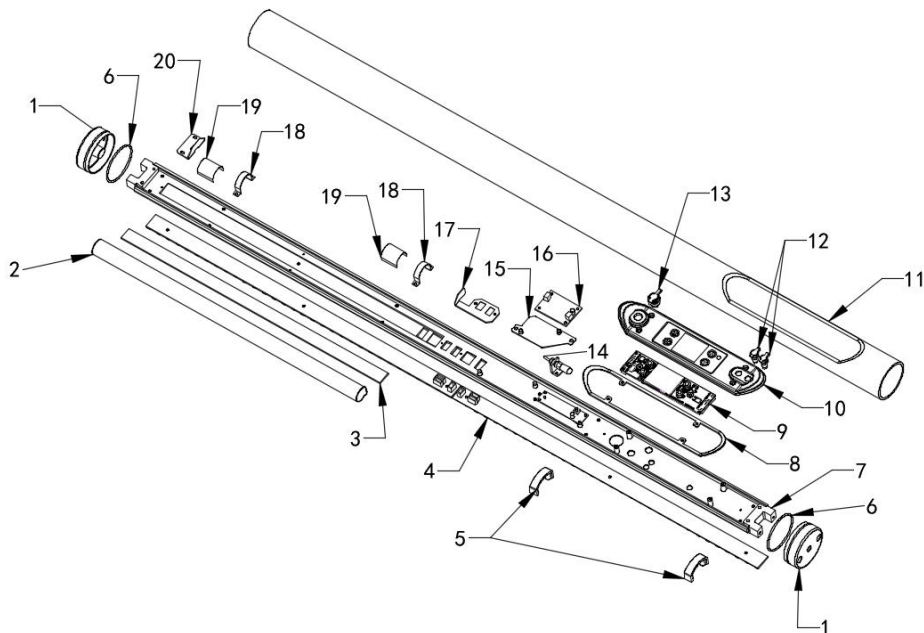
- Installation

Use the safety cord through the provided safety holes. Keep at least 50 cm ventilation clearance and do not mount on flammable surfaces or aim the beam at combustible objects (minimum 20 m).

- Temperature & normal conditions

Housing temperature may reach 45 – 75° C during operation. Slight smoke or odor may occur at first ignition and is considered normal.

2. Product explosion diagram



S N	NAME	S N	NAME	S N	NAME
1	End cover	2	Battery	3	EVA cotton A
4	LEDs board	5	Support block	6	O-type ring
7	Connector	8	Waterproof rubber ring	9	Display board
10	Display shell	11	Diffuser	12	DMX socket
13	Charging socket	14	Antenna	15	Voltage stabilizer fixing plate
16	Voltage stabilizer	17	Battery limit plate A	18	Battery platen
19	EVA cotton B	20	Battery limit plate B		

3. Technical Specifications

Power

Input Voltage: AC100-240 V, 50/60 Hz; DC 12.6V 4 A

Power Consumption:40W

Light source

Light Source: 128×0.25W RGBW LED,16 pixel zone control

Color Temperature: 6500K

CTO: 2760~6500

CRI≥90

Life expectancy: 20000 hours(factory rated)

Beam Angle

Field Angle: 180°

Control

Display: LCD Display

Control mode:DMX512, master-slave, auto, sound, wireless, remote

Channel: 9/ 21/ 69CH

Dimming/Strobe

Dimming: 0-100% linear dimming system

Dimming Mode: Mode1(high power mode) / Mode2(medium mode) /

Mode3(low power mode)

Strobe:0-22 F.P.S, speed adjustable

Housing

Housing: PC and aluminum alloy

Protection rate: IP65

Working temperature

Working temperature: -10℃- 45℃

Connection

Power connection: DC 12.6V 4A charging port in

DMX connection: 3.5mm TRS in/ out

Battery

Battery type: Lithium Ion

Battery Power: 88.8Wh; 11.1V, 8000mAh

Battery Charge Time: About 5 hours(full power)

Battery Life:

High power mode: About 4 hours (all on), 15 hours (single color);

Medium mode: About 6 hours (all on), 18 hours (single color);

Low power mode: About 8 hours (all on), 24 hours (single color)

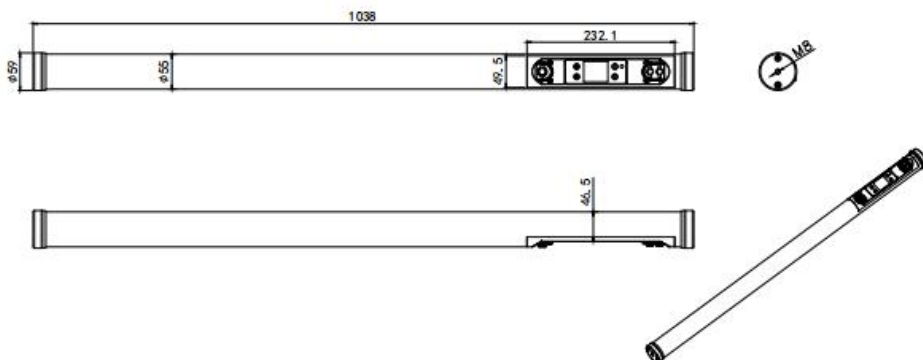
Product dimensions

1038×59×59mm

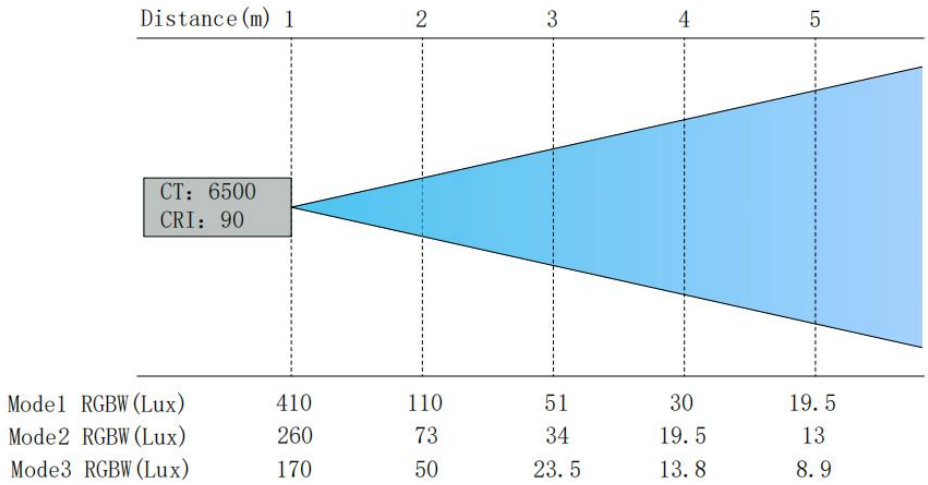
Net weight

2.3KG

Dimensions:



Light output:



4. Operation

4.1 Front panel operation:



Button	When at top Navigation	When inside Main Menu	Other meaning
MENU	Enter Main Menu	Back to previous Menu	Power on by holding button for 3 seconds
ENTER	Confirm	Confirm	
UP	Choose	Choose	Power off by holding UP and Down buttons same time about 3 seconds
DOWN	Choose	Choose	
Password lock:press UP,DOWN,UP ,M open the lock			

4.2 Board instruction:

Button	Meaning
M	menu
E	enter
▲	up
▼	down

Lock Password: Up-Down-Up-Menu

※	DMX	001~512	DMX address setting
---	-----	---------	---------------------

※	Mode	DMX	10ch/52ch/124ch		
		Auto	Pro00~Pro20/ Sp00~Sp99		
		Sound	Pro00~Pro20 / Se00~Se99		
		Static	Dimmer	000~255	
			Strobe	000~255	
			C-Macro	01~12	
			CTO	000-255	
			Red	000~255	
			Green	000~255	
			Blue	000~255	
			White	000~255	
			Amber	000~255	
			Fade	000~255	
			Jump	000~255	
Slave					
※	Setting	W-Dmx	Link RDX1-Sweden wireless		
			Link RDX2-Guangzhou wireless		
			Unlink RDX-Wireless off		
		Group	1ch / 2ch / 3ch / 4ch / 5ch / 6ch / 7ch		
		Display	On Off: Display screen off in 5s		
		Display Rev	on / off		
		Limiter	Mode1(Brightest) Mode2 Mode3		
		Key Lock	On Off: Password: Up Down Up Menu		
		DMX Fail	Blackout / Sound / Auto / Hold		
※	System Info	Firmwave	Vxxx		
		Time Info	00H		

		Temperature	00°C / 32F
--	--	-------------	------------

4.3 DMX address setting:

Ways to control

The light can be controlled in several ways:



Use infrared remote control, point it at individual lights and press the desired effect. Note that the IR sensor is next to the display.



The light can be controlled by DMX512.



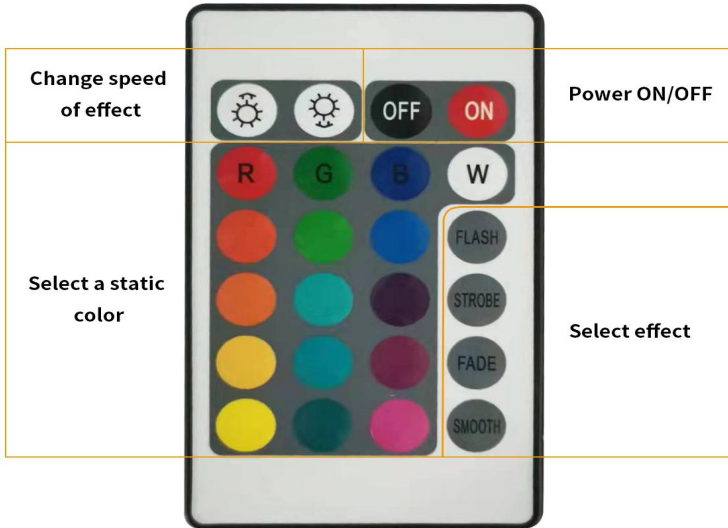
The light can also be controlled by wireless DMX, the built-in receiver Compatible with the world's major wireless communication protocols. Whether you use Sweden or Guangzhou wireless transceiver, we can be fully compatible with it

Controlled by infrared

The light can be controlled by the infrared remote :

Firstly choose Auto 、 Sound or Static mode of tube, and then exit interface.

- 1-Press remote ON button,the fixture automatically exits the current mode and enters infrared remote control mode.
- 2-Press any Static color to switch the corresponding color on the remote panel,after determined the color, press STROBE key and then press Speed of Effect key cans witch different strobe frequencies.



- 3-Press FLASH key to switch Auto mode,press FLASH repeatedly to switch to different Auto mode,In addition, press the select and effect speed key to select different Auto speed.
- 4-Pressing STROBE alone will not work and needs to be used with Static color.
- 5-Press FADE will appear color fade,if press speed of effect key can adjust the speed of close fade.
- 6-Press SMOOTH is Sound control mode, press SMOOTH repeatedly can switch different sound mode,and it will be has different Sound mode speed when press speed of effect Key.

Controlled by wired DMX

The fixture itself has 2-3.5MM audio and video sockets,through specialized DMX Cable can be connect with DMX console.

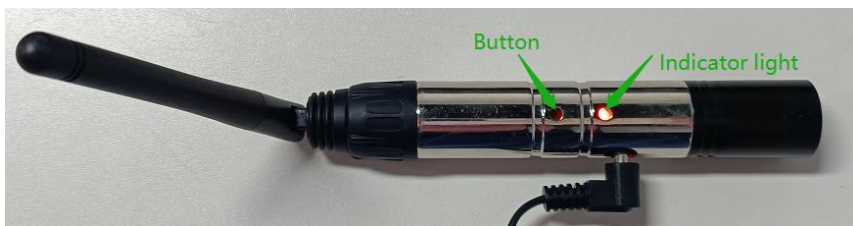
It must be set to DMX mode and Menu(W-DMX--Unlink RDX)

Two mode: Guangzhou and Sweden

3.51 Guangzhou Wireless dmx

The operation method of fixture using Guangzhou wireless dmx as follows:

- Firstly,Set the fixture to DMX Mode
- Secondly Set Menu(W-DMX) to Link RDX2
- Thirdly, on the Menu(GROUP) set any of groups,Groups 1 through 7, the color are red, green, yellow, blue, purple, cyan,and white.
- Through wireless transmitter button stand switch indicator color,make it keep the same color as wireless group.



The above operation can make wireless pairing successful.

3.52 Sweden Wireless

The operation method of fixture using Sweden wireless dmx as follows:

Firstly,Set the fixture to DMX Mode.

Secondly Set Menu(W-DMX) to Link RDX1.

Thirdly Press wireless transmitter key make it paired with fixtures.

The above operation can make wireless pairing successful.

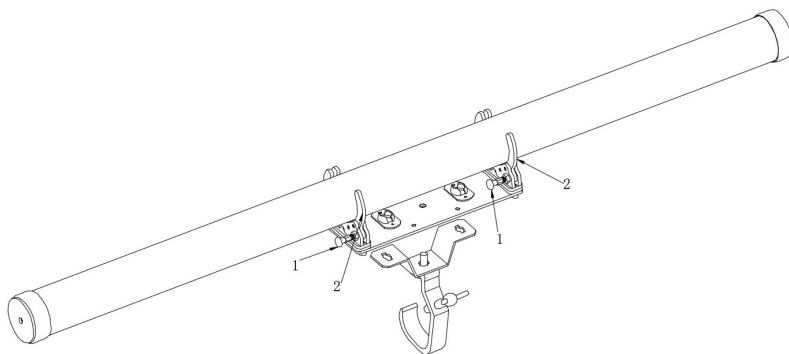
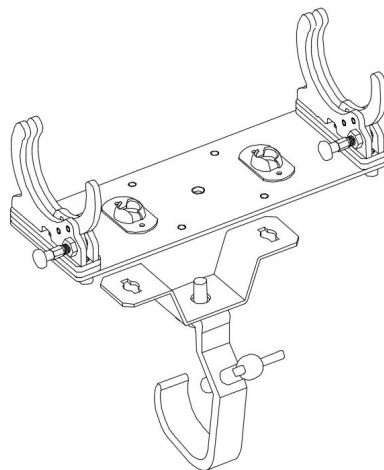
5. DMX Protocol

9CH	21CH	69CH	Function	Value
1	1	1	Total dimmer	Dimmer 0%-100%
2	2	2	Strobe	000-008: no strobe
				009-255: strobe from slow to fast
3	*		Red	Red dimmer 0%-100%
4			Green	Green dimmer 0%-100%
5			Blue	Blue dimmer 0%-100%
6			White	White dimmer 0%-100%
*			3	Group 1
	4	Group 2	Section 2 Red, green, blue and white free color change	
	5	Group 3	Section 3 Red, green, blue and white free color change	
	6	
	*	3	R1	Red 1 dimming 0 to 100%
		4	G1	Green 1 dimming 0 to 100%
		5	B1	Blue 1 dimming 0 to 100%
		6	W1	White 1 dimming 0 to 100%
		7
		63	R16	Red 16 dimming 0 to 100%
64		G16	Green 16 dimming 0 to 100%	
65		B16	Blue 16 dimming 0 to 100%	
66	W16	White 16 dimming 0 to 100%		
7	18	67	CTO	1100K-6500K
8	19	68	Color macro	Effect 1-20
9	20	69	Color macro speed	Chose effect from slow to fast

6. Installation

6.1 Mounting & Rigging

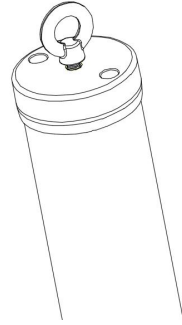
The wing plate is designed to install and fixed of hook



Picture 1 is the self-locking indexing pin, picture 2 is movable clip, when clamp the tube, firstly rotate the self-locking indexing pin to the cancel self-locking position, then press the movable clip forced to make the self-locking indexing pin locked movable clip, the wing plate will be clamped the tube.

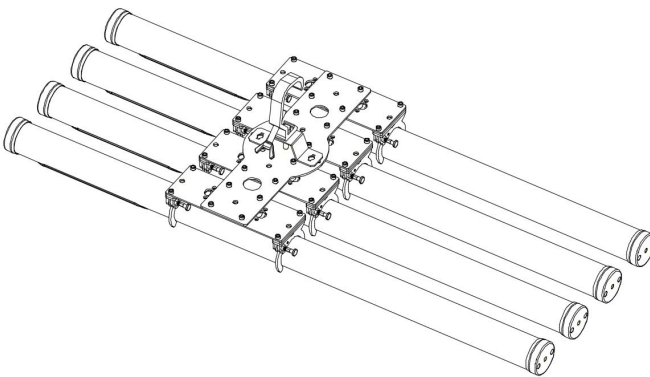
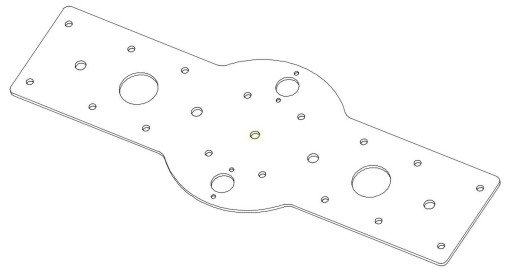
Rings

Rings can be screwed into the M8 Battery Tube.



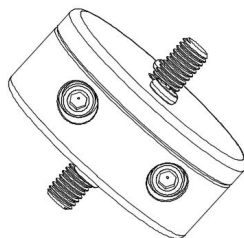
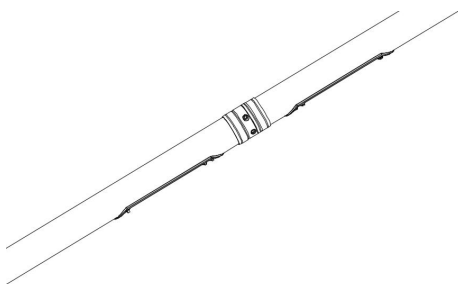
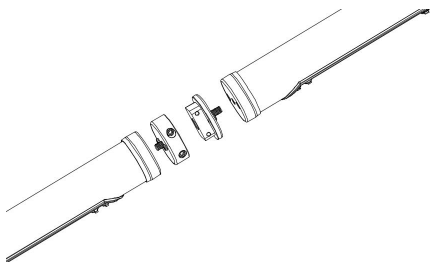
4 in one fixing plate

4 in one fixing plate can be connected with wing plate, 4 tubes will formed arrange effects at the same time.



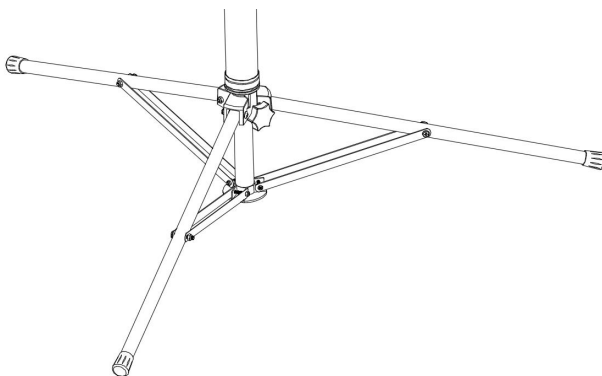
Adapt piece

Through Adapt piece can be connected two tubes, combined into a 2-meter tube.



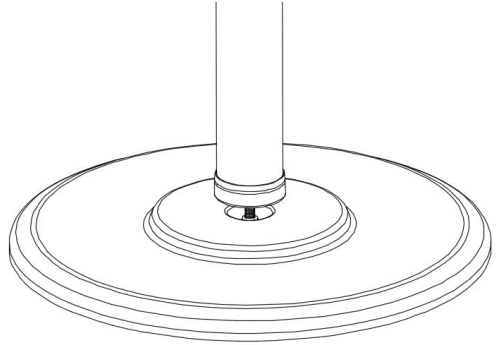
Big tripod

For a quick vertical setup, the big tripod can be screwed onto the tube via one of its M8 threads. The Small big tripod can be folded together for a convenient transportation.



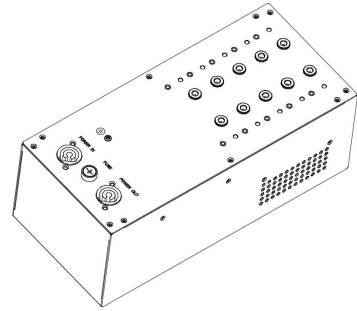
Support base

For a quick vertical setup, the support base can be screwed onto the tube via one of its M8 threads.



Charging box

The charging box can supply 10 tubes at the same time charge



7. Maintenance & Cleaning

Regular maintenance is essential to ensure optimal performance and extend the service life of the fixture.

7.1 Cleaning

Disconnect the unit from power before any cleaning work.

Use a soft, lint-free cloth slightly dampened with mild detergent to clean the exterior surfaces.

Gently remove dust from ventilation slots, optical lenses, and cooling components using compressed air or a soft brush.

Avoid using solvents, alcohol, or abrasive materials that may damage the housing or optical elements.

7.2 Lubrication

This fixture is designed with sealed or maintenance-free moving parts.

Under normal operating conditions, no additional lubrication is required.

If abnormal noise or movement resistance is observed, contact qualified service personnel before applying any lubricant.

7.3 Troubleshooting

If the fixture does not power on, verify the power supply, cables, and connectors.

For control issues, check DMX addressing, cable integrity, and ensure proper 3-pin/5-pin XLR connections.

Overheating or unexpected shutdown may indicate blocked ventilation; inspect and clean air inlets and outlets.

If problems persist after basic checks, discontinue use and contact authorized service technicians.



LEAHUA

Guangzhou Leahua Lighting Technology Ltd

Rm 1004, Building A
Baiyun Lake Future Technology Center
No.1 Xinghu Street, Shimen, Baiyun district
Guangzhou 510440, China
