



## **Starlink10**

### **LH -S1060**

This manual contains important information.  
Please read before operating fixture.

Guangzhou Leahua Lighting Technology Ltd  
[http:// www.leahualighting.com](http://www.leahualighting.com)

# Index

1. Safety Instructions .....	2
2. Appearance .....	3
3. Technical Specifications .....	4
4. Operation .....	7
4.1 Front panel operation .....	7
4.2 Board instruction .....	7
4.3 DMX address setting .....	10
5. DMX Protocol .....	12
6. Installation .....	25
6.1 Mounting & Rigging .....	25
6.2 Power connection .....	26
6.3 DMX Control Connection .....	26
7. Maintenance & Cleaning .....	27
7.1 Cleaning .....	27
7.2 Lubrication .....	27
7.3 Troubleshooting .....	27

## Accessories

Name	Quantity	Remark
User manual	1pc	
Folding clamp	1set	
Power cable	1pc	
DMX signal cable	1pc	
Safety cord	1pc	Optional

# 1. Safety Instructions

**WARNING!!! To reduce the risk of fire, electric shock, or injury to persons, follow these important safety instructions:**

- Check before use

Before operation, inspect the fixture for transportation damage. Do not use it if damaged. Unauthorized modification or improper use is not covered by warranty.

- Environment

The fixture is IP65-rated, suitable for indoor/outdoor use, and can operate in humid or dusty areas. Keep it away from excessive heat, fire, vibration, electrical surges, and strong light.

- Personnel & operation

Installation and operation must be performed by qualified personnel. Ensure all covers are securely in place, wear protective gear, and do not open the housing or attempt self-maintenance.

- Optical safety

Do not look directly into the light source. Do not use with dimmer packs. Maintain a minimum distance of 20 m from illuminated surfaces, and replace damaged optical components immediately.

- Electrical safety

Ensure correct voltage, proper grounding, and compliant power cords. Do not use damaged cables, and unplug by holding the plug. Avoid operating under heavy rain or extreme humidity, and avoid frequent on/off switching.

- Installation

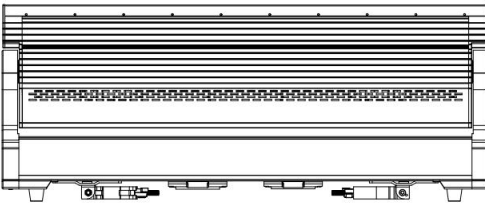
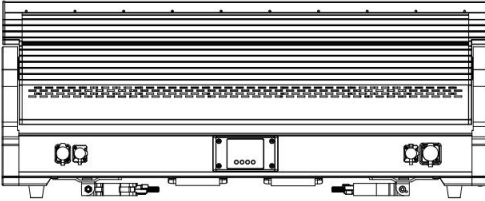
Use the safety cord through the provided safety holes. Keep at least 50 cm ventilation clearance and do not mount on flammable surfaces or aim the beam at combustible objects (minimum 20 m).

- Temperature & normal conditions

Housing temperature may reach 45 – 75° C during operation. Slight smoke or odor may occur at first ignition and is considered normal.

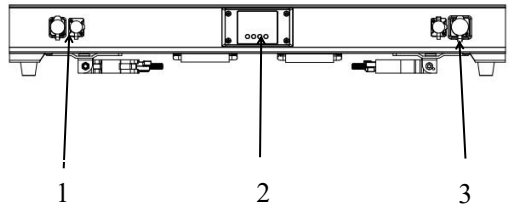
## 2. Appearance

Front side & back side



Front panel

1. Power in / DMX in
2. Display panel
3. DMX out / Power in



### 3. Technical Specifications

#### Power

Input Voltage: AC100-240V, 50/60 Hz

Power Consumption: 1100W

#### Light source

Main Light Section: 10 × 60W RGBW LED

Strip Light Section: 96 × 3W CW LED

Strip Light Section: 96 × 3W WW LED

Strip Light Section: 96 × 0.5W RGB LED

Life expectancy: About 50000 hours ( factory rated )

#### Zoom range

Zoom range: 2.1°-25.9°

#### Control

Display: LCD display

Control mode: DMX512, master-slave, auto, RDM

Channel: 17/27/99/108/168/170CH

#### Dimming/Strobe

Dimming: 0-100% linear dimming system

Strobe: 0-25 F.P.S, speed adjustable

#### Head movement

Tilt : 202°; 16 bit movement resolution

#### Housing

Housing: Aluminum alloy

Protection rate: IP65

## Working temperature

Working temperature: -10°C-45°C

## Connection

Power Connection: Powercon in/ out

Signal Connection: DMX 3-pin in/ out

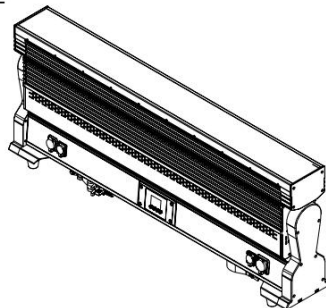
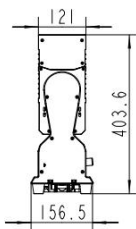
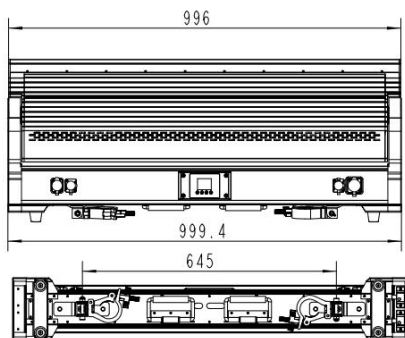
## Product dimensions

999.4×156.5×403.6mm

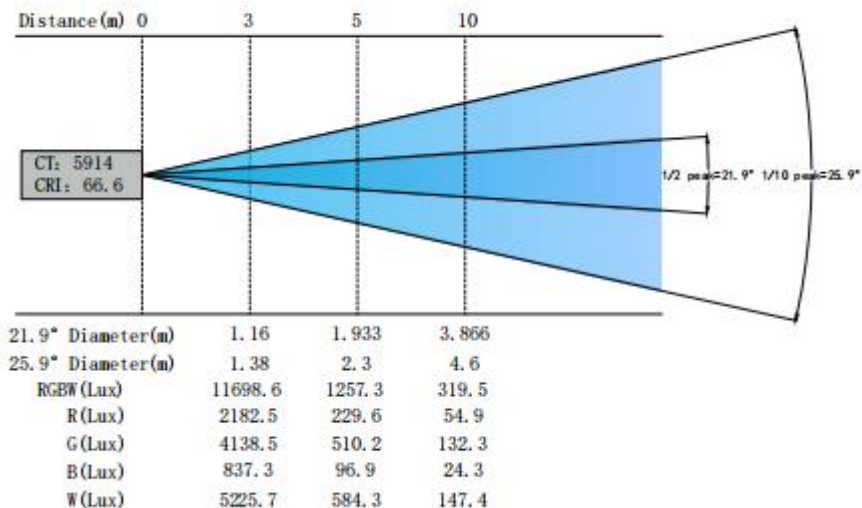
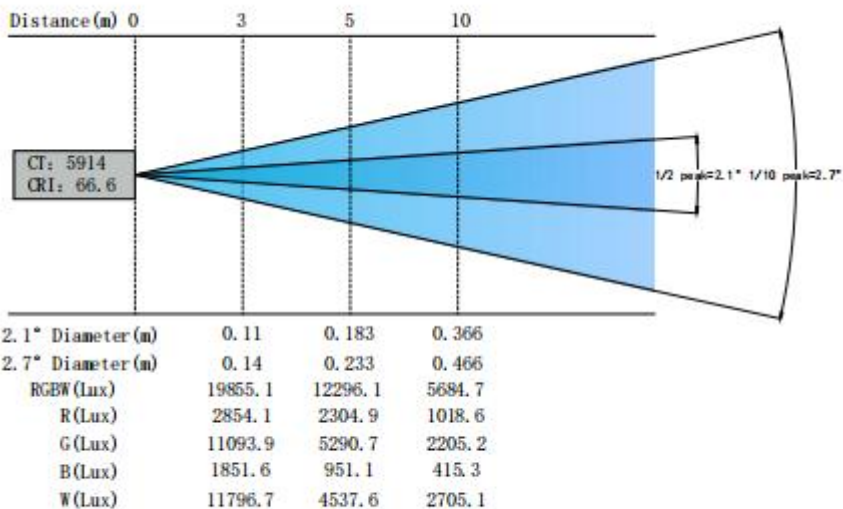
## Net weight

31KG

## Dimensions:

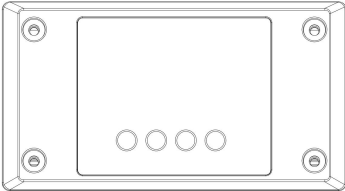


## Light output:



# 4. Operation

## 4.1 Front panel operation:



MENU	To enter into move backward or leave the menu
UP	To go backward to move up in the menu
DOWN	To go forward to move down in the menu
ENTER	To perform the desired functions

Pressing any button from the home screen will show the selectable menu items from the menu map. When a menu function is selected, the display will immediately show the first available option for the selected menu function. To select a menu item, press <ENTER>.

Use the <UP> and <DOWN> buttons to navigate the menu options. Press the <ENTER> button to select the menu function currently displayed, or to enable a menu option. To return to the previous option or menu without changing the value, press the <MENU> button.

## 4.2 Board instruction:

DMX function	ADDRESS	001-512
	Channel MODE	17CH
		27CH
		99CH
		108CH
		168CH
		170CH
	DMX status	Standby
		Keep

		Manual	
	Control Mode	Auto	
		DMX	
Control Setting	Tilt Reverse	Yes	
		No	
	Tilt correction	Yes	
		No	
	Dimmer Curve	Linear	
		Square	
		Inverse square	
		S curve	
	Dimmer speed	Fast	
		Smooth	
	White Balance	Red	125-255
		Green	125-255
		Blue	125-255
		Red1	125-255
		Green1	125-255
		Blue1	125-255
		.....	.....
		Red10	125-255
		Green10	125-255
		Blue10	125-255
	Led Frequency	900Hz	
		1000Hz	
		1100Hz	
1200Hz			
1300Hz			
1400Hz			
1500Hz			
2500Hz			
4000Hz			

		5000Hz
		6000Hz
		10000Hz
		15000Hz
		20000Hz
		25000Hz
	Pixel Reverse	Yes
		No
	Power mode	Standard
		Quiet
	Color temperature correction	Close
		Open
	Strobe Power mode	Close
		Open
Display setting	Display Reverse	NO
		Yes
	Backlight brightness	1-10
	Temperature unit	oC
		°F
Language	中文	
	English	
Testing	Auto Test	
	Manual Test	
System information	Using time	
	Led using time	Led total hours
		Led Open hours
		Reset Time(password 050)
	Temperature	
	Fan status	Head fan
		Head fan1
Head fan2		
Head fan3		

		Head fan4
		Head fan5
	CPU version	
	Wrong record	
Reset	Y reset	No
		Yes
	Head reset	No
		Yes
	All Reset	No
		Yes
Special function	Restore factory	No
	Settings	Yes

### 4.3 DMX address setting:

Each fixture must be assigned a unique DMX start address within the 001 – 512 range. The start address represents the first channel the fixture occupies. This product provides six DMX modes(17/27/99/108/168/170CH channels); therefore, the next fixture's start address must be calculated according to the number of channels used in the selected mode to avoid overlapping addresses.

For example, when operating in 17-channel mode, set Fixture 1 to 001, Fixture 2 to 18, Fixture 3 to 35, Fixture 4 to 52, etc.

DMX Mode	Fixture1	Fixture2	Fixture3	Fixture4	...
17CH	001	18	35	52	...
27CH	001	28	55	82	...
99CH	001	100	199	298	...
108CH	001	109	217	325	...
168CH	001	169	337	505	...

170CH	001	171	341	511	...
-------	-----	-----	-----	-----	-----

## 5. DMX Protocol

17 CH	27 CH	99 CH	108 CH	168 CH	170 CH	Function	DMX value	Description
1	1	1	1	1	1	Tilt	000-255	Tilt movement 202°
2	2	2	2	2	2	Tilt fine	000-255	Tilt Fine
3	3	3	3	3	3	Zoom	000-255	Zoom wide--narrow
4	4	4	4	4	*	Total dimmer	000-255	Total Dimmer 0-100%
*	*	*	*	*	4	Main Light dimmer	000-255	Main light Dimmer 0-100%
*	*	*	*	*	5	Backlight White dimmer	000-255	Backlight white Dimmer 0-100%
*	*	*	*	*	6	Backlight rgb dimmer	000-255	Backlight rgb Dimmer 0-100%
5	5	5	5	5	7	Main Light Strobe	000-007	Close
							008-015	Open
							016-131	Strobe from slow to fast
							132-139	Open
							140-181	Slow open fast close, from slow to fast
							182-189	Open
							190-231	Fast open slow close, from slow to fast
							232-239	Open
							240-247	Random strobe from

								slow to fast
							248-255	Open
6	6	6	6	6	8	Backlight White Strobe	000-007	Close
							008-015	Open
							016-131	Strobe from slow to fast
							132-139	Open
							140-181	Slow open fast close, from slow to fast
							182-189	Open
							190-231	Fast open slow close, from slow to fast
							232-239	Open
							240-247	Random strobe from slow to fast
							248-255	Open
7	7	7	7	7	9	Backlight RGB Strobe	000-007	Close
							008-015	Open
							016-131	Strobe from slow to fast
							132-139	Open
							140-181	Slow open fast close, from slow to fast
							182-189	Open
							190-231	Fast open slow close, from slow to fast
							232-239	Open

							240-247	Random strobe from slow to fast
							248-255	Open
8	8	8	8	8	10	Function	000-029	No function
							030-039	Dimmer curve: Linear
							040-049	Dimmer curve: Square rate
							050-059	Dimmer curve: Inverse square rate
							060-069	Dimmer curve: S curve
							070-079	Power mode: Standard
							080-089	No function
							090-099	Power mode: Quiet
							100-109	Led Frequency can be set
							110-119	Led Frequency can't be set
							120-122	No function
							123	900Hz
							123	1000Hz
							125	1100Hz
							126	1200Hz
							127	1300Hz
							128	1400Hz
							129	1500Hz
130	2500Hz							

							131	4000Hz
							132	5000Hz
							133	6000Hz
							134	10KHz
							135	15KHz
							136	20KHz
							137	25KHz
							138-199	No function
							200-209	All motor reset
							210-219	Dimmer speed: Fast
							220-229	Dimmer speed: smooth
							230-239	Strobe Light power mode: close
							240-249	Strobe light power mode : open
							250-255	No function
9	9					Main Red	000-255	Main red color 0-100%
10	10	*	*	*	*	Main Green	000-255	Main green color 0-100%
11	11					Main Blue	000-255	Main Blue color 0-100%
12	12					Main White	0-255	Main White color 0-100%
*	13	*	*	*	*	Main Light color temperatur	001-004	8000K
							005-009	7900K
							010-013	7800K

					e	014-018	7700K
						019-022	7600K
						...	...
						230-234	2900K
						235-239	2800K
						240-243	2700K
						244-247	2600K
						248-255	2500K
	14	*	*	*	*	000-007	No function
					Main Light	008-015	Color1
					Color	016-023	Color2
					Marco	024-031	Color3
						032-039	Color4
						040-047	Color5
						048-055	Color6
						056-063	Color7
						064-071	Color8
						072-079	Color9
						080-087	Color10
						088-095	Color11
						096-103	Color12
						104-111	Color13
						112-119	Color14
						120-127	Color15
						128-135	Color16
						136-143	Color17

							144-151	Color18
							152-159	Color19
							160-167	Color20
							168-191	Color21
							192-199	Color22
							200-207	Color23
							208-215	Color24
							216-223	Color25
							224-231	Color26
							232-239	Color27
							240-247	Color28
							248-255	Color29
	15	*	*	*	*	Main Light effect Marco	000-007	No function
							008-015	Effect1
							016-023	Effect2
							024-031	Effect3
							032-039	Effect4
							040-047	Effect5
							048-055	Effect6
							056-063	Effect7
							064-071	Effect8
							072-079	Effect9
							080-087	Effect10
							088-095	Effect11
							096-103	Effect12
							104-111	Effect13

							112-119	Effect14
							120-127	Effect15
							128-135	Effect16
							136-143	Effect17
							144-151	Effect18
							152-159	Effect19
							160-167	Effect20
							168-175	Effect21
							176-183	Effect22
							184-191	Effect23
							192-255	No function
	16					Main Light effect speed	000-127	From slow to fast(no fade effect)
							128-255	From slow to fast(fade effect)
13	17					Backlight Cold white	000-255	Backlight Cold white color 0-100%
14	18					Backlight Warm white	000-255	Backlight Warm white color 0-100%
*	19					Backlight White color temperature	000-067	No function
							068-247	From 6500K-2600K
							248-255	Reserved
	20					Backlight white effect Marco	000-007	No function
					008-015		Effect1	
					016-023		Effect2	
					024-031		Effect3	

							032-039	Effect4
							040-047	Effect5
							048-055	Effect6
							056-063	Effect7
							064-071	Effect8
							072-079	Effect9
							080-087	Effect10
							088-095	Effect11
							096-103	Effect12
							104-111	Effect13
							112-119	Effect14
							120-127	Effect15
							128-135	Effect16
							136-143	Effect17
							144-151	Effect18
							152-159	Effect19
							160-167	Effect20
							168-175	Effect21
							176-183	Effect22
							184-191	Effect23
							192-255	No function
	21	*	*	*	*	Backlight White effect speed	000-127	From slow to fast(no fade effect)
							128-255	From slow to fast(fade effect)
15	22	*	*	*	*	Backlight Red	000-255	Backlight Red color 0-100%
16	23	*	*	*	*	Backlight	000-255	Backlight Green

						Green		color 0-100%
17	24					Backlight Blue	000-255	Backlight Blue color 0-100%
							000-007	No function
							008-015	Color1
							016-023	Color2
							024-031	Color3
							032-039	Color4
							040-047	Color5
							048-055	Color6
							056-063	Color7
							064-071	Color8
							072-079	Color9
							080-087	Color10
						Backlight RGB Color Marco	088-095	Color11
							096-103	Color12
							104-111	Color13
							112-119	Color14
							120-127	Color15
							128-135	Color16
							136-143	Color17
							144-151	Color18
							152-159	Color19
							160-167	Color20
							168-191	Color21
							192-199	Color22
							200-207	Color23

							208-215	Color24
							216-223	Color25
							224-231	Color26
							232-239	Color27
							240-247	Color28
							248-255	Color29
	26	*	*	*	*		000-007	No function
008-015							Effect1	
016-023							Effect2	
024-031							Effect3	
032-039							Effect4	
040-047							Effect5	
048-055							Effect6	
056-063							Effect7	
064-071							Effect8	
072-079							Effect9	
080-087							Effect10	
088-095							Effect11	
096-103							Effect12	
104-111							Effect13	
112-119							Effect14	
120-127							Effect15	
128-135							Effect16	
136-143							Effect17	
144-151							Effect18	
152-159	Effect19							

						160-167	Effect20
						168-175	Effect21
						176-183	Effect22
						184-191	Effect23
						192-255	No function
27	*	*	*	*	Backlight RGB effect speed	000-127	From slow to fast(no fade effect)
						128-255	From slow to fast(fade effect)
*	9	9	9		Main Red1	000-255	Main red1 color 0-100%
	10	10	10	12	Main Green1	000-255	Main green1 color 0-100%
	11	11	11	13	Main Blue1	000-255	Main Blue1 color 0-100%
	12	12	12	14	Main White1	000-255	Main White1 color 0-100%
	13	13	13	15	Main Red2	000-255	Main red2 color 0-100%
	14	14	14	16	Main Green2	000-255	Main green2 color 0-100%
	15	15	15	17	Main Blue2	000-255	Main Blue2 color 0-100%
	16	16	16	18	Main White2	000-255	Main White2 color 0-100%
	...	...	...	...	...	...	...
	45	45	45	47	Main Red10	000-255	Main red10 color 0-100%
	46	46	46	48	Main Green10	000-255	Main green10 color 0-100%
47	47	47	49	Main Blue10	000-255	Main Blue10 color 0-100%	

		48	48	48	50	Main White10	000-255	Main White10 color 0-100%
		49	49	49	51	Backlight Cold white1	000-255	Backlight Cold white1 color 0-100%
		50	50	50	52	Backlight Warm white1	000-255	Backlight Warm white1 color 0-100%
		51	51	51	53	Backlight Cold white2	000-255	Backlight Cold white2 color 0-100%
		52	52	52	54	Backlight Warm white2	000-255	Backlight Warm white2 color 0-100%
		...	...	...	...	...	...	...
		95	71	95	97	Backlight Cold white24	000-255	Backlight Cold white24 color 0-100%
		96	72	96	98	Backlight Warm white24	000-255	Backlight Warm white24 color 0-100%
		*	73	97	99	Backlight Red1	000-255	Backlight Red1 Color 0-100%
		*	74	98	100	Backlight Green1	000-255	Backlight Green1 Color 0-100%
		*	75	99	101	Backlight Blue1	000-255	Backlight Blue1 0-100%
		*	...	...	...	...	...	...
		97	106	166	168	Backlight Red24	000-255	Backlight Red24 Color 0-100%
		98	107	167	169	Backlight Green24	000-255	Backlight Green24 Color 0-100%

		99	108	168	170	Backlight Blue24	000-255	Backlight Blue24 0-100%
--	--	----	-----	-----	-----	---------------------	---------	----------------------------

## 6. Installation

### 6.1 Mounting & Rigging

- Prepare the fixture

Ensure the fixture is in good condition and the ventilation openings are unobstructed.

- Mount using the built-in folding clamp

Hang the fixture directly onto the truss or mounting structure using the integrated folding clamp.

Always lift or carry the fixture using the handles—not the clamp.

- Install the safety cable

Pass the safety cable through the two safety-cable holes on the base and secure it to an independent safety point.

The safety cable must be rated to withstand 10× the fixture's weight.

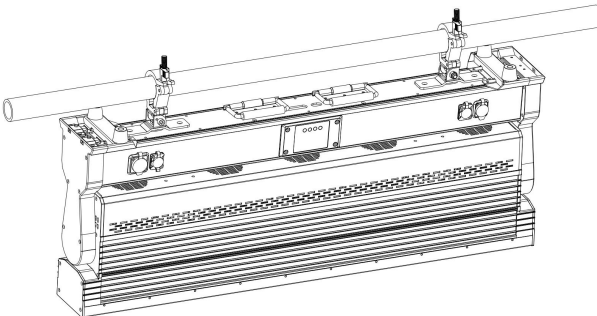
- Lock / Unlock Pan & Tilt

Lock Pan and Tilt before moving the fixture; unlock them before powering on.

Do not operate the fixture while Pan/Tilt is locked.

- Final Safety Check

Confirm the hook is fully engaged, the safety cable is properly secured, and the mounting structure can safely support the fixture's weight.



## 6.2 Power connection

Please checking the power equipment supported.

Please put the plug of power source wire connect with the main power source .

( EU )Wire	Wire(America)	Direction of wire	General marks
Brown	Black	Live	L
Light blue	White	Neutral	N
Yellow/Green	Green	Earth	

## 6.3 DMX Control Connection

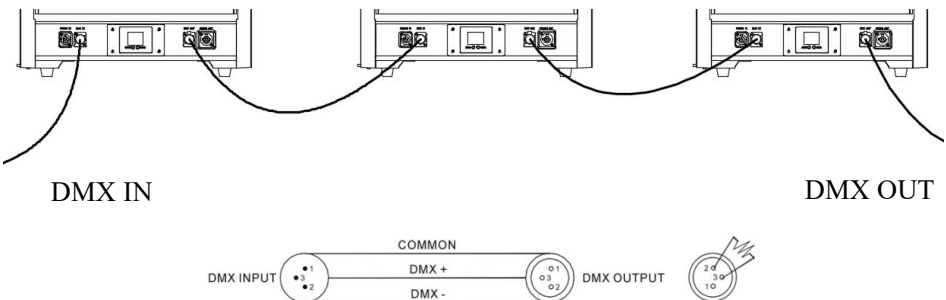
This fixture supports DMX512 (1990) control protocol and is equipped with 3-pin XLR connectors for data input and output. Use a twin-screened DMX cable with conductors of at least 0.5 mm<sup>2</sup> , ensuring correct wiring for the selected connector type.

Connect the controller's DMX OUT to the first fixture's DMX IN, then link fixtures DMX OUT → DMX IN in a daisy-chain. For optimal signal integrity, install a **DMX terminator** on the DMX OUT of the final fixture.

Ensure no pin makes contact with the connector housing or other pins.

Before use, test cables with an ohm meter to verify correct polarity and to ensure no pins or shield are shorted to ground, as this may result in data errors or unstable operation.

For convenience, connect fixtures in the physical order they are installed, rather than by DMX address sequence.



## **7. Maintenance & Cleaning**

Regular maintenance is essential to ensure optimal performance and extend the service life of the fixture.

### **7.1 Cleaning**

Disconnect the unit from power before any cleaning work.

Use a soft, lint-free cloth slightly dampened with mild detergent to clean the exterior surfaces.

Gently remove dust from ventilation slots, optical lenses, and cooling components using compressed air or a soft brush.

Avoid using solvents, alcohol, or abrasive materials that may damage the housing or optical elements.

### **7.2 Lubrication**

This fixture is designed with sealed or maintenance-free moving parts. Under normal operating conditions, no additional lubrication is required.

If abnormal noise or movement resistance is observed, contact qualified service personnel before applying any lubricant.

### **7.3 Troubleshooting**

If the fixture does not power on, verify the power supply, cables, and connectors.

For control issues, check DMX addressing, cable integrity, and ensure proper 3-pin/5-pin XLR connections.

Overheating or unexpected shutdown may indicate blocked ventilation; inspect and clean air inlets and outlets.

If problems persist after basic checks, discontinue use and contact authorized service technicians.



**LEAHUA**

Guangzhou Leahua Lighting Technology Ltd

---

---

Rm 1004, Building A  
Baiyun Lake Future Technology Center  
No,1 Xinghu Street, Shimen, Baiyun district  
Guangzhou 510440, China

---

---