



Maris 7

LH-M760

This manual contains important information.
Please read before operating fixture.

Guangzhou Leahua Lighting Technology Ltd
[http:// www.leahualighting.com](http://www.leahualighting.com)

Index

1. Safety Instructions	2
2. Appearance	3
3. Technical Specifications	4
4. Operation	7
4.1 Front panel operation:	7
4.2 Board instruction:	7
4.3 DMX address setting:	10
5. DMX Protocol	11
6. Installation	14
6.1 Mounting & Rigging	14
6.2 Power connection	15
6.3 DMX Control Connection	15
7. Maintenance & Cleaning	16
7.1 Cleaning	16
7.2 Lubrication	16
7.3 Troubleshooting	17

Accessories

Name	Quantity	Remark
User manual	1pc	
Folding clamp	1set	
Power cable	1pc	
DMX signal cable	1pc	
Safety cord	1pc	Optional

1. Safety Instructions

WARNING!!! To reduce the risk of fire, electric shock, or injury to persons, follow these important safety instructions:

- Check before use

Before operation, inspect the fixture for transportation damage. Do not use it if damaged. Unauthorized modification or improper use is not covered by warranty.

- Environment

The fixture is IP65-rated, suitable for indoor/outdoor use, and can operate in humid or dusty areas. Keep it away from excessive heat, fire, vibration, electrical surges, and strong light.

- Personnel & operation

Installation and operation must be performed by qualified personnel. Ensure all covers are securely in place, wear protective gear, and do not open the housing or attempt self-maintenance.

- Optical safety

Do not look directly into the light source. Do not use with dimmer packs. Maintain a minimum distance of 20 m from illuminated surfaces, and replace damaged optical components immediately.

- Electrical safety

Ensure correct voltage, proper grounding, and compliant power cords. Do not use damaged cables, and unplug by holding the plug. Avoid operating under heavy rain or extreme humidity, and avoid frequent on/off switching.

- Installation

Use the safety cord through the provided safety holes. Keep at least 50 cm ventilation clearance and do not mount on flammable surfaces or aim the beam at combustible objects (minimum 20 m).

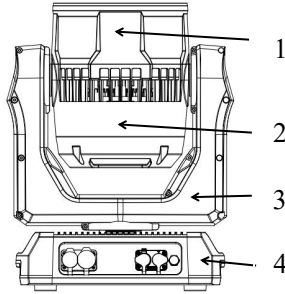
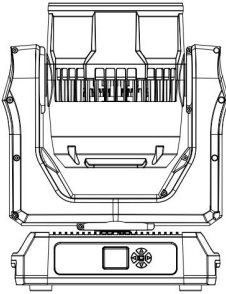
- Temperature & normal conditions

Housing temperature may reach 45 – 75° C during operation. Slight smoke or odor may occur at first ignition and is considered normal.

2. Appearance

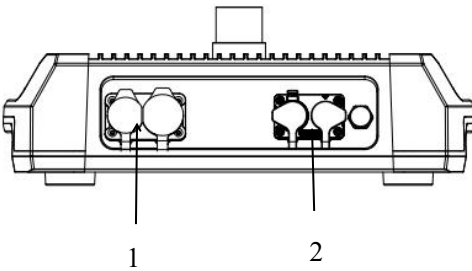
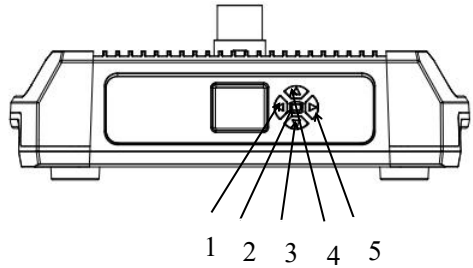
Front side & back side

Front panel & rear panel



- 1. Head Cover
- 2. Rear Cover
- 3. Arm
- 4. Handle

- 1. Left key
- 2. Enter key
- 3. Down key
- 4. Right Key
- 5. Up Key



- 1. Waterproof power socket
- 2. Waterproof DMX3-pin in/out

3. Technical Specifications

Power

Input Voltage: AC90-260V 50/ 60Hz

Power Consumption: 350 W

Light source

Light Source: 7×60W RGLB LED, 72×0.12W RGB LED

Life expectancy: 20000Hrs(factory rated)

Zoom range

Zoom range: 3.4° -46.7°

Control

Display: LCD display

Control mode: DMX512, master-slave, auto, sound, RDM

Channel: 29/ 65CH

Dimming/Strobe

Dimming: 0-100% linear dimming system

Strobe: 1-20 F.P.S, Speed adjustable

Cooling System

Cooling System: Low noise and efficient fan cooling system

Head movement

Pan/ Tilt: 540°/ 270° with auto-correction

Housing

Housing: Die-casting aluminum, nylon and glass fiber

Protection rate: IP65

Working temperature

Working temperature: -10°C-45°C

Connection

Power connection: Powercon in/out

DMX connection: DMX 3-pin in / out

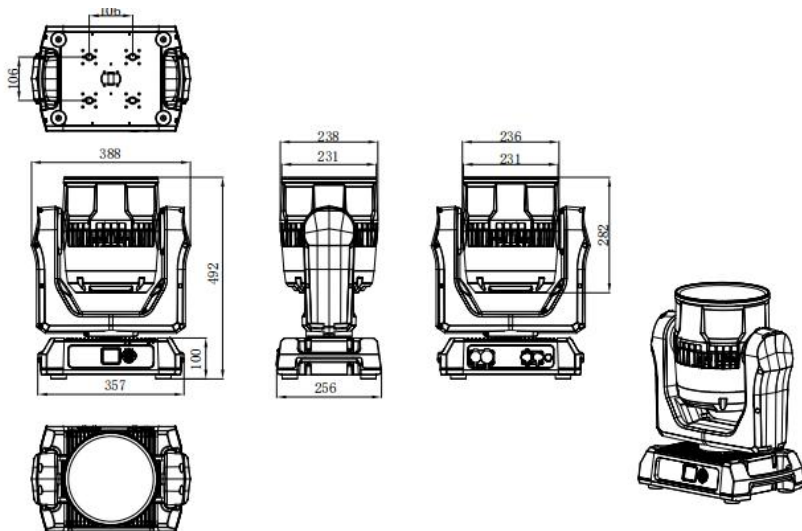
Product dimensions

388×256×492mm

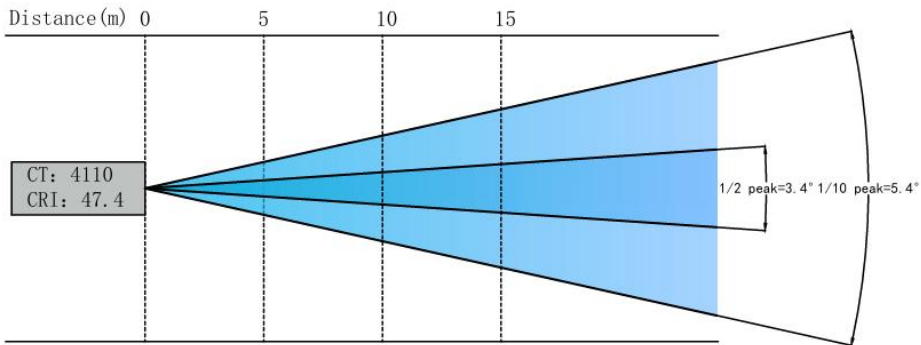
Net weight

15kg

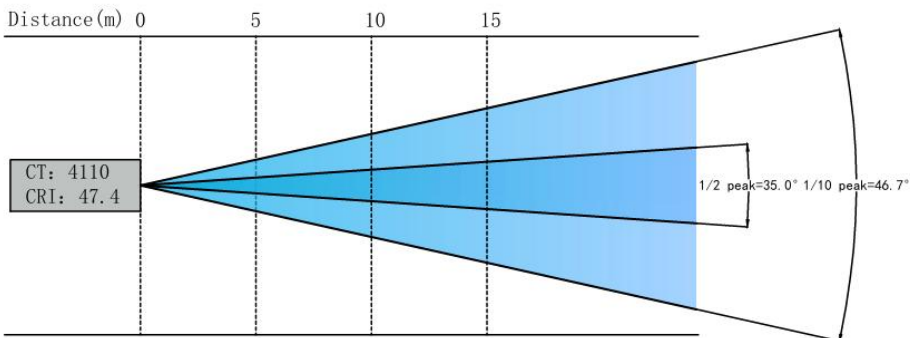
Dimensions:



Light output:



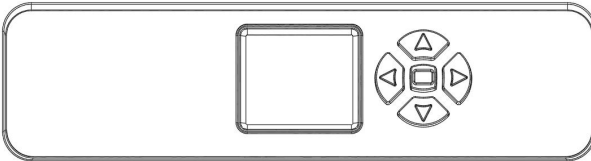
Distance (m)	0	5	10	15
3.4° Diameter (m)		0.3	0.61	0.9
5.4° Diameter (m)		0.47	0.95	1.43
RGBL (Lux)		21162	5238	2538
R (Lux)		4284	1120	468
G (Lux)		8679	2238	992
B (Lux)		1739	460	210
L (Lux)		9656	2620	1180



Distance (m)	0	5	10	15
35.0° Diameter (m)		3.15	6.31	9.45
46.7° Diameter (m)		4.32	8.63	12.95
RGBL (Lux)		610	180	87
R (Lux)		140	40	20
G (Lux)		252	75	35
B (Lux)		51	20	10
L (Lux)		290	85	43

4. Operation

4.1 Front panel operation:



Enter



UP / DOWN



Left Key / Right Key

Enter	To enter into move backward or leave the menu
UP	To go backward to move up in the menu
DOWN	To go forward to move down in the menu
Left	To go backward to previous level
Right	To go forward to next level

Pressing any button from the home screen will show the selectable menu items from the menu map. When a menu function is selected, the display will immediately show the first available option for the selected menu function. To select a menu item, press <ENTER>.

Use the <UP> <DOWN> <Left> <Right> buttons to navigate the menu options. Press the <ENTER> button to select the menu function currently displayed, or to enable a menu option.

4.2 Board instruction:

ADDR	Chan	001-512
	Prev	Previous device
	Next	Next device

	Exit	
MODE	DMX Ctrl	
	Auto Run	
	Scene mode	01-10, Auto
	Dimer Mode	Mode1/Mode2/Mode3/Off
	M/S Choose	Auto/Master/Slave
	Fan Mode	Auto/Low/High
	Exit	
DISP	语言	En/中文
	Screen Rot	Auto/Close/Open
	Screen Saver	On/Off
	DMX Indicate	Mode1/Mode2
	Screen Light	01-10
	Exit	
SCENE	Control Mode	On/Off
	Scene Select	01-10
	Scene Timer	xx:xs
	1. Pan	000-255
	2. Pan fine	000-255
	3. Tilt	000-255
	4. Tilt fine	000-255
	5. XT speed	000-255
	6. Dimmer	000-255
	7. Strobe	000-255
	8. R1	000-255
	9. G1	000-255
	10. B1	000-255
	11. W1	000-255
	12. R2	000-255
13. G2	000-255	
14. B2	000-255	
15. W2	000-255	

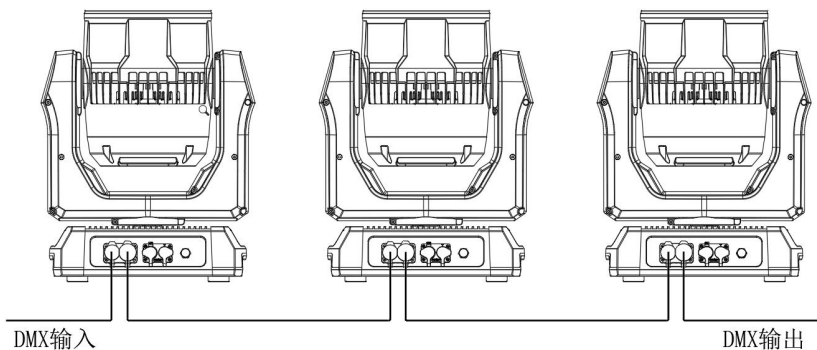
	16. R3	000-255
	17. G3	000-255
	18. B3	000-255
	19. W3	000-255
	20. Zoom	000-255
	21. LED.EF	000-255
	22. LED.SP	000-255
	23. Effect	000-255
	24. Effect.spd	000-255
	25. Reset	000-255
	26. CT	000-255
	Exit	
SETUP	Pan Invert	On/Off
	Tilt Invert	On/Off
	Reserve	
	P/T Rectify	On/Off
	Data Hold	On/off
	CH mode	18CH/26CH
	Pan Offset	128
	Tilt Offset	128
	Scene Timer	001
	Reset	On/Off
	Factor Setting	On/Off
	Advance	Password: 1324
Exit		
STATE	Channel_info	
	Light_time	xxxx:xx
	Error_logging	
	Version	At.19
	Fixture_Status	
	Use_Limit	
	Exit	

4.3 DMX address setting:

Each fixture must be assigned a unique DMX start address within the 001 - 512 range. The start address represents the first channel the fixture occupies. This product provides two DMX modes (29/ 65CH channels); therefore, the next fixture's start address must be calculated according to the number of channels used in the selected mode to avoid overlapping addresses.

For example, when operating in 29-channel mode, set Fixture 1 to 001, Fixture 2 to 030, Fixture 3 to 059, Fixture 4 to 088, etc.

DMX Mode	Fixture1	Fixture2	Fixture3	Fixture4	...
29CH	001	30	59	88	...
65CH	001	66	131	196	...



5. DMX Protocol

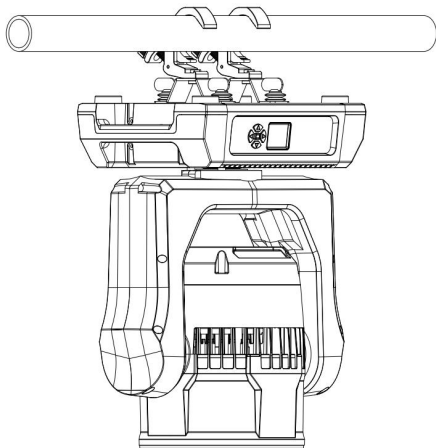
29CH	65CH	Value	Function
1	1	0-255	Pan
2	2	0-255	Pan fine
3	3	0-255	Tilt
4	4	0-255	Tilt fine
5	5	0-255	Pan/Tilt speed
6	6	0-255	Dimmer
7	7	0-255	Dimmer Fine
8	8	0-255	Strobe
9	9	0-255	R
10	10	0-255	Red Fine
11	11	0-255	G
12	12	0-255	Green Fine
13	13	0-255	B
14	14	0-255	Blue Fine
15	15	0-255	Lime
16	16	0-255	Lime Fine
17	17	0-255	Zoom
18	18	0-255	Macro(Color Presets)
19	19	0-255	Macro speed
20	20	0-255	Marco delay
21	21	0-255	Ring Red
22	22	0-255	Ring Green
23	23	0-255	Ring Blue
24	24	0-255	Ring Color Presets
25	25	0-255	Ring Chases
26	26	0-255	Ring Dimmer
27	27	0-255	Ring Strobe
28	28	0-255	CTO

*	29	0-255	Reset
*	30	0-255	Ring Red1
*	31	0-255	Ring Green1
*	32	0-255	Ring Blue1
*	33	0-255	Ring Red2
*	34	0-255	Ring Green2
*	35	0-255	Ring Blue2
*	36	0-255	Ring Red3
*	37	0-255	Ring Green3
*	38	0-255	Ring Blue3
*	39	0-255	Ring Red4
*	40	0-255	Ring Green4
*	41	0-255	Ring Blue4
*	42	0-255	Ring Red5
*	43	0-255	Ring Green5
*	44	0-255	Ring Blue5
*	45	0-255	Ring Red6
*	46	0-255	Ring Green6
29	47	0-255	Ring Blue6
*	48	0-255	Ring Red7
*	49	0-255	Ring Green7
*	50	0-255	Ring Blue7
*	51	0-255	Ring Red8
*	52	0-255	Ring Green8
*	53	0-255	Ring Blue8
*	54	0-255	Ring Red9
*	55	0-255	Ring Green9
*	56	0-255	Ring Blue9
*	57	0-255	Ring Red10
*	58	0-255	Ring Green10
*	59	0-255	Ring Blue10

*	60	0-255	Ring Red11
*	61	0-255	Ring Green11
*	62	0-255	Ring Blue11
*	63	0-255	Ring Red12
*	64	0-255	Ring Green12
*	65	0-255	Ring Blue12

6. Installation

6.1 Mounting & Rigging



Mounting & Rigging

- **Attach Mounting Hardware**

Install the 2 × ¼-turn quick-lock Omega brackets to the base, then secure suitable rated C- or O-clamps to the brackets.

- **Position and Rig the Fixture**

Mount the fixture onto a stable truss or structure using clamps rated to hold at least 10× the fixture's weight.

Always lift the fixture using the handles—not the clamps.

- **Install the Safety Cable**

Run the safety cable through the two safety-cable holes on the base and secure it to an independent safety point.

Ensure the safety cable is rated for 10× the fixture's weight.

- **Ensure Ventilation**

Verify that fans and ventilation openings are unobstructed and that sufficient space is available around the fixture.

- **Lock / Unlock Pan & Tilt**

Lock Pan and Tilt before moving the fixture.

Unlock them before powering on.

Never operate the fixture while Pan/Tilt is locked.


- Final Stability Check

Ensure all clamps, screws, and safety cable connections are firmly secured, and confirm the mounting structure can support the fixture’s weight.

6.2 Power connection

Please checking the power equipment supported.

Please put the plug of power source wire connect with the main power source .

(EU)Wire	Wire(America)	Direction of wire	General marks
Brown	Black	Live	L
Light blue	White	Neutral	N
Yellow/Green	Green	Earth	

6.3 DMX Control Connection

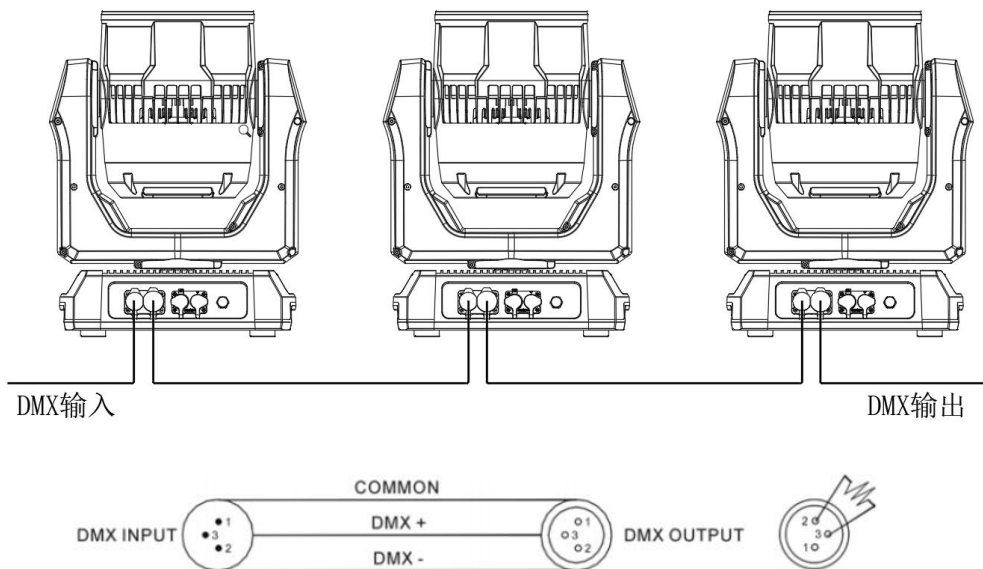
This fixture supports DMX512 (1990) control protocol and is equipped with 3-pin XLR connectors for data input and output. Use a twin-screened DMX cable with conductors of at least 0.5 mm² , ensuring correct wiring for the selected connector type.

Connect the controller’s DMX OUT to the first fixture’s DMX IN, then link fixtures DMX OUT → DMX IN in a daisy-chain. For optimal signal integrity, install a **DMX terminator** on the DMX OUT of the final fixture.

Ensure no pin makes contact with the connector housing or other pins.

Before use, test cables with an ohm meter to verify correct polarity and to ensure no pins or shield are shorted to ground, as this may result in data errors or unstable operation.

For convenience, connect fixtures in the physical order they are installed, rather than by DMX address sequence.



7. Maintenance & Cleaning

Regular maintenance is essential to ensure optimal performance and extend the service life of the fixture.

7.1 Cleaning

Disconnect the unit from power before any cleaning work.

Use a soft, lint-free cloth slightly dampened with mild detergent to clean the exterior surfaces.

Gently remove dust from ventilation slots, optical lenses, and cooling components using compressed air or a soft brush.

Avoid using solvents, alcohol, or abrasive materials that may damage the housing or optical elements.

7.2 Lubrication

This fixture is designed with sealed or maintenance-free moving parts. Under normal operating conditions, no additional lubrication is required.

If abnormal noise or movement resistance is observed, contact qualified service personnel before applying any lubricant.

7.3 Troubleshooting

If the fixture does not power on, verify the power supply, cables, and connectors.

For control issues, check DMX addressing, cable integrity, and ensure proper 3-pin/5-pin XLR connections.

Overheating or unexpected shutdown may indicate blocked ventilation; inspect and clean air inlets and outlets.

If problems persist after basic checks, discontinue use and contact authorized service technicians.



LEAHUA

Guangzhou Leahua Lighting Technology Ltd

Rm 1004, Building A
Baiyun Lake Future Technology Center
No,1 Xinghu Street, Shimen, Baiyun district
Guangzhou 510440, China
