



LEAHUA



Li-Master 415IP

LH -L034P

This manual contains important information.
Please read before operating fixture.

Guangzhou Leahua Lighting Technology Ltd
[http:// www.leahualighting.com](http://www.leahualighting.com)

Index

1. Safety Instructions	2
2. Technical Specifications	3
3. Operation	7
4.1 Front panel operation	7
4.2 Board instruction	7
4.3 DMX address setting	9
4. DMX Protocol	11
5. Maintenance & Cleaning	13
5.1 Cleaning	13
5.2 Lubrication	13
5.3 Troubleshooting	13

Accessories

Name	Quantity	Remark
User manual	1pc	
Power cable	1pc	
DMX signal cable	1pc	

1. Safety Instructions

WARNING!!! To reduce the risk of fire, electric shock, or injury to persons, follow these important safety instructions:

- Check before use

Before operation, inspect the fixture for transportation damage. Do not use it if damaged. Unauthorized modification or improper use is not covered by warranty.

- Environment

The fixture is IP65-rated, suitable for indoor/outdoor use, and can operate in humid or dusty areas. Keep it away from excessive heat, fire, vibration, electrical surges, and strong light.

- Personnel & operation

Installation and operation must be performed by qualified personnel. Ensure all covers are securely in place, wear protective gear, and do not open the housing or attempt self-maintenance.

- Optical safety

Do not look directly into the light source. Do not use with dimmer packs. Maintain a minimum distance of 20 m from illuminated surfaces, and replace damaged optical components immediately.

- Electrical safety

Ensure correct voltage, proper grounding, and compliant power cords. Do not use damaged cables, and unplug by holding the plug. Avoid operating under heavy rain or extreme humidity, and avoid frequent on/off switching.

- Installation

Use the safety cord through the provided safety holes. Keep at least 50 cm ventilation clearance and do not mount on flammable surfaces or aim the beam at combustible objects (minimum 20 m).

- Temperature & normal conditions

Housing temperature may reach 45 – 75° C during operation. Slight smoke or odor may occur at first ignition and is considered normal.

2. Technical Specifications

Power

Input Voltage: AC 100-240V/50-60Hz, DC 28V, 3A

Power Consumption: 60W

Light source

Light Source: 4 × 15W RGBW LED (Cold White / Warm White / CW+WW optional)

CCT: 7500K

Life expectancy: 20000 hours(factory rated)

Zoom range

Zoom range: 4.3°- 44.6°

Control

Control mode: DMX512, master-slave, auto, sound, wireless, remote, RDM

Channel: 4/ 10/ 32/ 39CH

Dimming/Strobe

Dimming: 0-100% linear dimming system

Strobe: 0-24 F.P.S, speed adjustable

Other Function

Manual zoom adjustment

180° reversible head with 4 spotlights

Smart foldable pole for easy transport and setup

Housing

Housing: Aluminium alloy

Protection rate: IP65

Working temperature

Working temperature: -10°C- 45°C

Connection

Power connection: DC 28V3A charging port in

DMX connection: 3.5mm TRS in

Product dimensions

Diameter of pole: 80mm

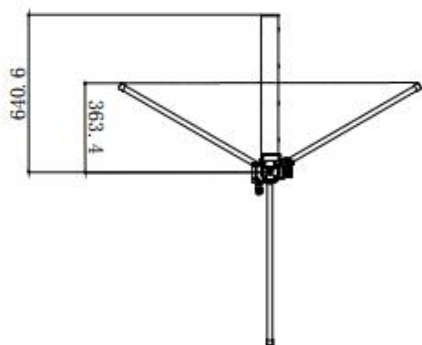
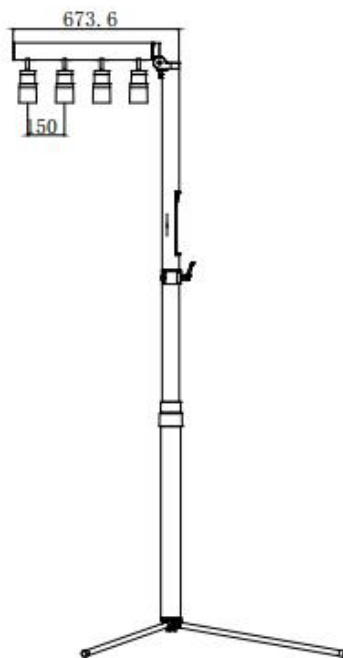
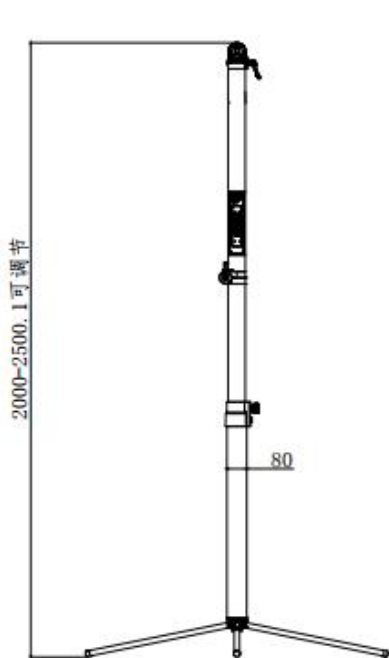
Diameter of standing tripod: 780mm

Height: 2000-2500mm

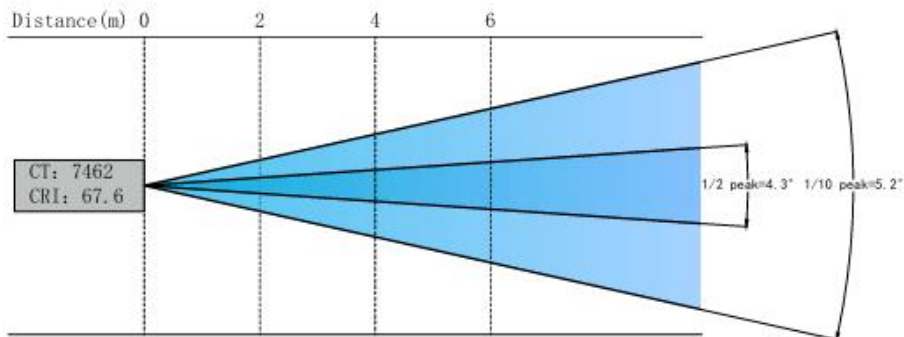
Net weight

14.25kg

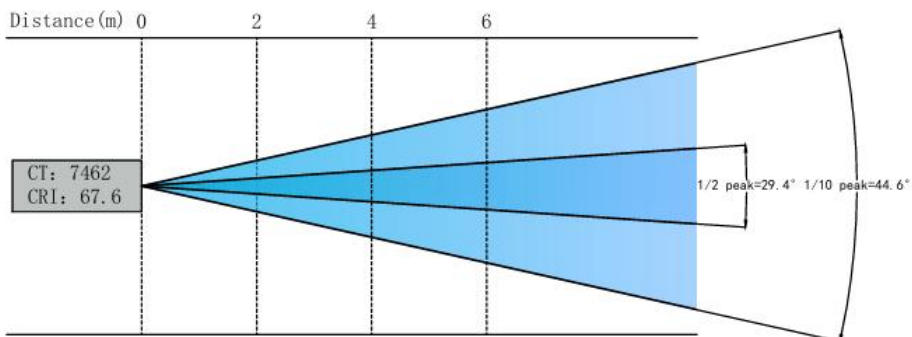
Dimensions:



Light output:



4.3° Diameter (m)	0.15	0.3	0.45
5.2° Diameter (m)	0.18	0.36	0.54
RGBW (Lux)	4965.9	1065.1	450.6
R (Lux)	896.7	185.9	73.2
G (Lux)	1413.2	331.6	139.2
B (Lux)	226.6	46.9	21.2
W (Lux)	3235	641.5	294.9



29.4° Diameter (m)	1.05	2.1	3.15
44.6° Diameter (m)	1.64	3.28	4.92
RGBW (Lux)	129.3	29.5	13.5
R (Lux)	22.2	4.5	2
G (Lux)	38.6	8.1	3.5
B (Lux)	5.9	1.3	0.6
W (Lux)	82.3	17.5	7.3

3. Operation

4.1 Front panel operation:

Button	Meaning
M	Menu/back
E	Enter/confirm
▲	up
▼	down

MENU	To enter into move backward or leave the menu
UP	To go backward to move up in the menu
DOWN	To go forward to move down in the menu
ENTER	To perform the desired functions

Pressing any button from the home screen will show the selectable menu items from the menu map. When a menu function is selected, the display will immediately show the first available option for the selected menu function. To select a menu item, press <ENTER>.

Use the <UP> and <DOWN> buttons to navigate the menu options. Press the <ENTER> button to select the menu function currently displayed, or to enable a menu option. To return to the previous option or menu without changing the value, press the <MENU> button.

4.2 Board instruction:

Menu	Item1	Item2	Item3
Set address	001-512		
Mode	DMX mode	4CH	
		10CH	
		32CH	

		39CH	
	Slave mode		
	Auto mode	Auto	01-15
		Speed	01-10
	Manual mode	Dimmer	000-255
		Red	000-255
		Green	000-255
		Blue	000-255
		White	000-255
		Strobe	00-20
	Color mode	Color	01-51
		Strobe	00-20
Setting	Set Display	Reverse Display	Normal/Inverted
		Screen Timeout Off	On/Off/30s/60s/90s
		Key Lock	On/Off
	Set IR Control	On/Off	
	No dmx state	DMX Hold	
		Black Out	
	Wireless	Off	
		CH1	
		CH2	
		CH3	
		CH4	
		CH5	
		CH6	
		CH7	
	LED PWM	1kHz	
		2kHz	
		4kHz	
		8kHz	
12kHz			
16kHz			

	LED Power	High power		
		Normal power		
		Low power		
	Dimmer Curve	Linear		
		Exponential		
		Logarithmic		
		S-curve		
	Dimmer Response	LED		
		Halogen		
		Stage		
		Theatra		
	White Balance	Red	000-255	
		Green	000-255	
Blue		000-255		
White		000-255		
Systeminfo	Firmware	Hardware version	V1.01	
		Software version	V1.02	
	RDM UID	6367:442E3020		
	Time Information	Usage Time	0:00:00	
		Total Time	0:00	

4.3 DMX address setting:

Ways to control

The light can be controlled in several ways:



Use infrared remote control, point it at individual lights and press the desired effect. Note that the IR sensor is next to the display.



The light can be controlled by DMX512.



The light can also be controlled by wireless DMX, the built-in receiver Compatible with the world's major wireless communication

protocols. Whether you use Sweden or Guangzhou wireless transceiver, we can be fully compatible with it

4. DMX Protocol

4CH	10CH	32CH	39CH	DMX Value	Function
*	1	*	1	000-255	Master Dimmer
*	*	*	2	000-255	Master Dimmer fine
*	2	*	3	000-255	Programme 1-15
*	3	*	4	000-255	Speed
*	4	*	5	000-255	Colour1-51
1	5	*	*	000-255	Red
2	6	*	*	000-255	Green
3	7	*	*	000-255	Blue
4	8	*	*	000-255	White
*	*	1	6	000-255	Red1
		2	7	000-255	Red1 fine
		3	8	000-255	Green
		4	9	000-255	Green1 fine
		5	10	000-255	Blue
		6	11	000-255	Blue1 fine
		7	12	000-255	White1
		8	13	000-255	White1 fine
		9	14	000-255	Red2
		10	15	000-255	Red2 fine
		11	16	000-255	Green
		12	17	000-255	Green2 fine
		13	18	000-255	Blue
		14	19	000-255	Blue2 fine
		15	20	000-255	White2
		16	21	000-255	White2 fine
		17	22	000-255	Red3
		18	23	000-255	Red3 fine
		19	24	000-255	Green
		20	25	000-255	Green3 fine

		21	26	000-255	Blue
		22	27	000-255	Blue3 fine
		23	28	000-255	White3
		24	29	000-255	White3 fine
		25	30	000-255	Red4
		26	31	000-255	Red4 fine
		27	32	000-255	Green
		28	33	000-255	Green4 fine
		29	34	000-255	Blue
		30	35	000-255	Blue4 fine
		31	36	000-255	White4
		32	37	000-255	White4 fine
	9	*	38	000-255	Strobe speed
	10	*	39	000-255	Pulsation from slow to fast

5. Maintenance & Cleaning

Regular maintenance is essential to ensure optimal performance and extend the service life of the fixture.

5.1 Cleaning

Disconnect the unit from power before any cleaning work.

Use a soft, lint-free cloth slightly dampened with mild detergent to clean the exterior surfaces.

Gently remove dust from ventilation slots, optical lenses, and cooling components using compressed air or a soft brush.

Avoid using solvents, alcohol, or abrasive materials that may damage the housing or optical elements.

5.2 Lubrication

This fixture is designed with sealed or maintenance-free moving parts. Under normal operating conditions, no additional lubrication is required.

If abnormal noise or movement resistance is observed, contact qualified service personnel before applying any lubricant.

5.3 Troubleshooting

If the fixture does not power on, verify the power supply, cables, and connectors.

For control issues, check DMX addressing, cable integrity, and ensure proper 3-pin/5-pin XLR connections.

Overheating or unexpected shutdown may indicate blocked ventilation; inspect and clean air inlets and outlets.

If problems persist after basic checks, discontinue use and contact authorized service technicians.



LEAHUA

Guangzhou Leahua Lighting Technology Ltd

Rm 1004, Building A
Baiyun Lake Future Technology Center
No,1 Xinghu Street, Shimen, Baiyun district
Guangzhou 510440, China
