



Stellar G

LH -ST66

This manual contains important information.
Please read before operating fixture.

Guangzhou Leahua Lighting Technology Ltd
[http:// www.leahualighting.com](http://www.leahualighting.com)

Index

1. Safety Instructions	2
2. Technical Specifications	3
3. Operation	7
3.1 Board instruction	7
3.2 DMX address setting	7
4. DMX Protocol	9
5. Maintenance & Cleaning	11
5.1 Cleaning	11
5.2 Lubrication	11
5.3 Troubleshooting	11

Accessories

Name	Quantity	Remark
User manual	1pc	
Power cable	1pc	
DMX signal cable	1pc	
Safety cord	1pc	Optional

1. Safety Instructions

WARNING!!! To reduce the risk of fire, electric shock, or injury to persons, follow these important safety instructions:

- Check before use

Before operation, inspect the fixture for transportation damage. Do not use it if damaged. Unauthorized modification or improper use is not covered by warranty.

- Environment

The fixture is IP20-rated, suitable for indoor/outdoor use, and can operate in humid or dusty areas. Keep it away from excessive heat, fire, vibration, electrical surges, and strong light.

- Personnel & operation

Installation and operation must be performed by qualified personnel. Ensure all covers are securely in place, wear protective gear, and do not open the housing or attempt self-maintenance.

- Optical safety

Do not look directly into the light source. Do not use with dimmer packs. Maintain a minimum distance of 20 m from illuminated surfaces, and replace damaged optical components immediately.

- Electrical safety

Ensure correct voltage, proper grounding, and compliant power cords. Do not use damaged cables, and unplug by holding the plug. Avoid operating under heavy rain or extreme humidity, and avoid frequent on/off switching.

- Installation

Use the safety cord through the provided safety holes. Keep at least 50 cm ventilation clearance and do not mount on flammable surfaces or aim the beam at combustible objects (minimum 20 m).

- Temperature & normal conditions

Housing temperature may reach 45 – 75° C during operation. Slight smoke or odor may occur at first ignition and is considered normal.

2. Technical Specifications

Power

Input Voltage:AC100-240V,50Hz-60Hz

Power Consumption:60W

Light source

Light Source:60W RGBW LED

Life Expectancy: About 20000hours (factory rated)

Zoom Range

Zoom Range:4.4°-62.5°(Manual zoom)°

Control

Control mode: DMX512, master-slave, auto, sound

Channel:4/ 7CH

Housing

Housing:Aluminum alloy

Protection rate: IP20

Working temperature

Working temperature: -10℃-45℃

Connection

Power connection: Powercon in/out

DMX connection: DMX 3-pin in/ out

Product dimensions

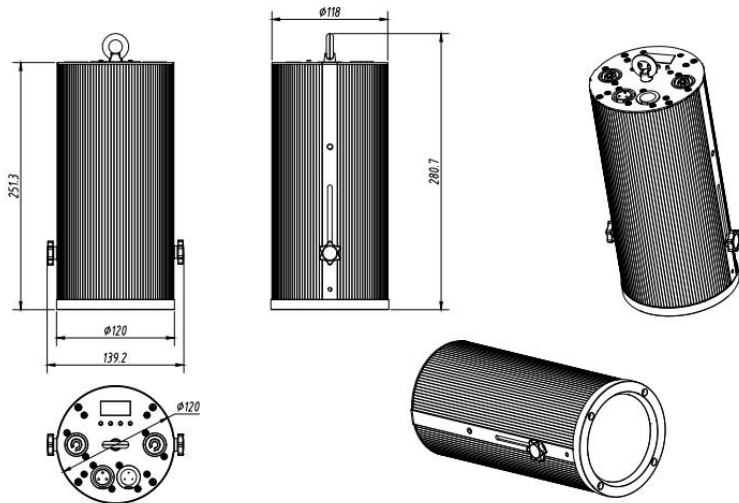
176×176×280.7mm

Net weight

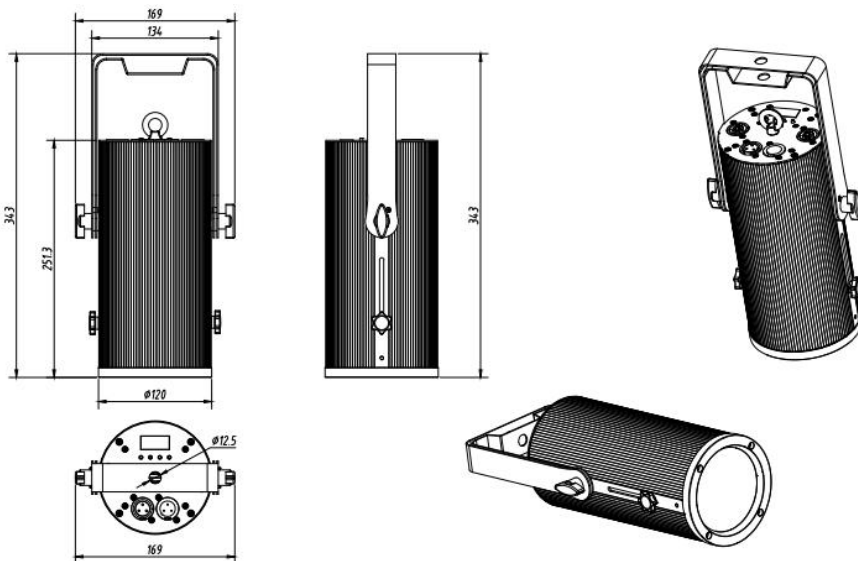
2.5kg

Dimensions:

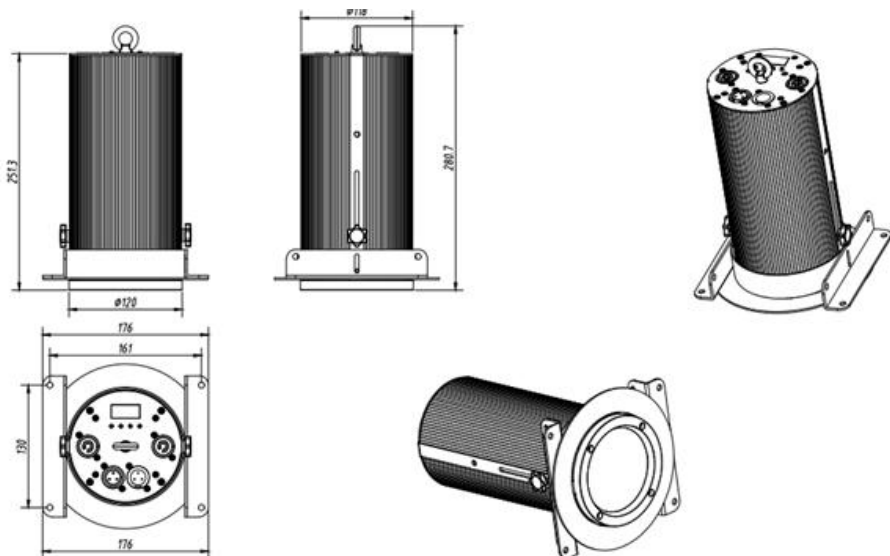
(1) Dimensions of hanging



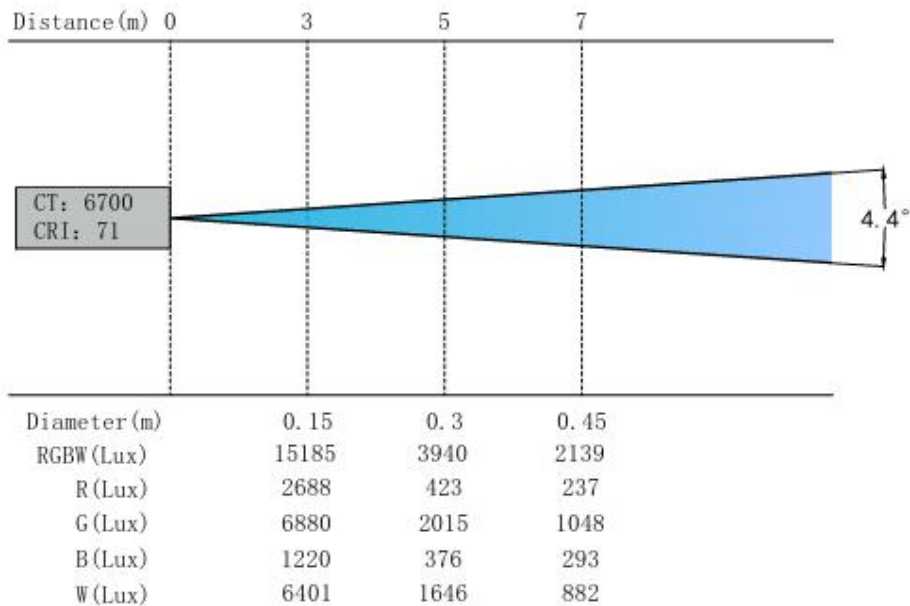
(2) Dimensions of double handles

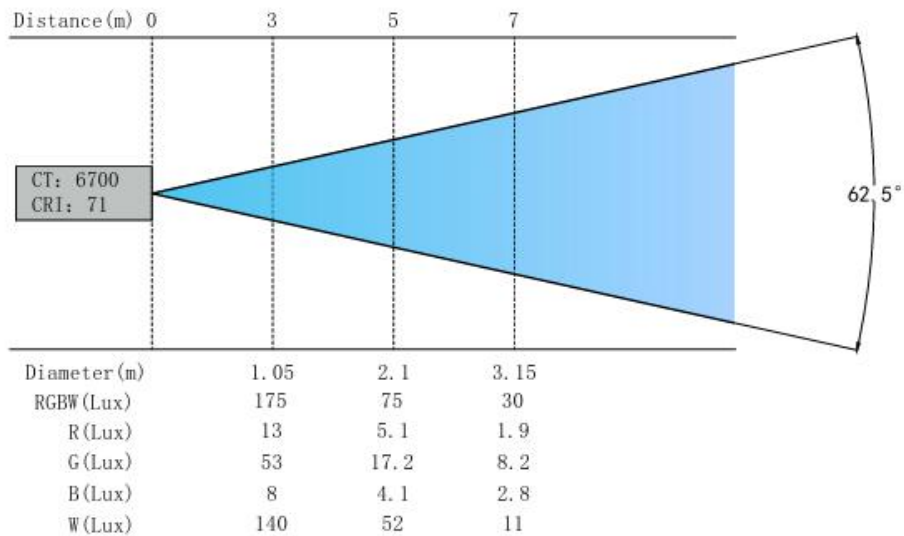


(3) Dimensions of ceiling



Light output:





3. Operation

3.1 Board instruction:

Menu1	Menu2	Menu3	Description
Addr	1-512		DMX address setting
Channel	4CH/7CH		DMX Channel setting
Static	Red	0-255	
	Strobe	00-20	
	White	0-255	
	Blue	0-255	
	Green	0-255	
Auto	Auto1-Auto9		
Sound	Sound1-Sound2		Sound control
Display	ON/OFF		

3.2 DMX address setting:

Each fixture must be assigned a unique DMX start address within the 001 - 512 range. The start address represents the first channel the fixture occupies. This product provides two DMX modes (4/ 7CH) channels; therefore, the next fixture’s start address must be calculated according to the number of channels used in the selected mode to avoid overlapping addresses.

For example, when operating in 4 channel mode, set Fixture 1 to 001, Fixture 2 to 005 Fixture 3 to 009, Fixture 4 to 013, etc.

DMX Mode	Fixture1	Fixture2	Fixture3	Fixture4	...
----------	----------	----------	----------	----------	-----

4CH	001	005	009	013	...
7CH	001	008	015	022	...

Connection of dmx-512 and connection with the light equipment

Please connect XLR-XLR control wire with every light from the output of DMX.

XLR connection :

DMX-OUTPUT



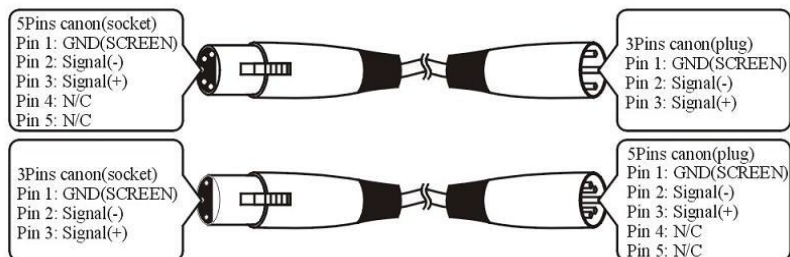
Pin 1: Screen
Pin 2: Signal -
Pin 3: Signal +

DMX-INPUT



Pin 1: Screen
Pin 2: Signal -
Pin 3: Signal +

ATTENTION: Please do remember to connect one circle circuit plug on the output signal of last equipment. And this circle circuit plug was connected a 120ohm resistance between terminals 2 and 3 of the CANON plug, connect this circle circuit plug can avoid the signal flash phenomena of signal DMX512 during the transmission.



4. DMX Protocol

4CH	7CH	Vable	Function
	1	0-255	Dimmer 0-100%
1	2	0-255	Red 0-100%
2	3	0-255	Green 0-100%
3	4	0-255	Blue 0-100%
4	5	0-255	White 0-100%
	6	0-255	Strobe/from slow to fast)
	7	0-10	No Function
		11-49	RED+GREEN Mixing color
		50-89	GREEN+BLUE Mixing color
		90-94	(CCT) White1: 6600K
		95-99	White2: 7000K
		100-104	White3: 8800K
		105-109	White4: 11300K
		110-114	White5: 14500K
		115-119	White6: 17000K
		120-124	White7: 20000K
		125-129	White8: 30000K
		130-134	White9: 40000K
		135-139	White10: 50000K
		140-144	White11: 60000K
		145-154	Auto1
		155-164	Auto2
		165-174	Auto3
		175-184	Auto4
		185-194	Auto5
		195-204	Auto6
	205-214	Auto7	
	215-224	Auto8	
	225-234	Auto9	

		235-244	Sound01
		245-255	Sound02

5. Maintenance & Cleaning

Regular maintenance is essential to ensure optimal performance and extend the service life of the fixture.

5.1 Cleaning

Disconnect the unit from power before any cleaning work.

Use a soft, lint-free cloth slightly dampened with mild detergent to clean the exterior surfaces.

Gently remove dust from ventilation slots, optical lenses, and cooling components using compressed air or a soft brush.

Avoid using solvents, alcohol, or abrasive materials that may damage the housing or optical elements.

5.2 Lubrication

This fixture is designed with sealed or maintenance-free moving parts. Under normal operating conditions, no additional lubrication is required.

If abnormal noise or movement resistance is observed, contact qualified service personnel before applying any lubricant.

5.3 Troubleshooting

If the fixture does not power on, verify the power supply, cables, and connectors.

For control issues, check DMX addressing, cable integrity, and ensure proper 3-pin/5-pin XLR connections.

Overheating or unexpected shutdown may indicate blocked ventilation; inspect and clean air inlets and outlets.

If problems persist after basic checks, discontinue use and contact authorized service technicians.



LEAHUA

Guangzhou Leahua Lighting Technology Ltd

Rm 1004, Building A
Baiyun Lake Future Technology Center
No.1 Xinghu Street, Shimen, Baiyun district
Guangzhou 510440, China
