



LEAHUA



Stellar 60

LH-ST60

This manual contains important information.
Please read before operating fixture.

Guangzhou Leahua Lighting Technology Ltd
[http:// www.leahualighting.com](http://www.leahualighting.com)

Index

1. Safety Instructions	2
2. Technical Specifications	3
3. Operation	6
3.1 Front panel operation	6
3.2 Board instruction	6
3.3 DMX address setting	7
4. DMX Protocol	9
5. Maintenance & Cleaning	10
5.1 Cleaning	10
5.2 Lubrication	10
5.3 Troubleshooting	10

Accessories

Name	Quantity	Remark
User manual	1pc	
Power cable	1pc	
DMX signal cable	1pc	
Safety cord	1pc	Optional

1. Safety Instructions

WARNING!!! To reduce the risk of fire, electric shock, or injury to persons, follow these important safety instructions:

- Check before use

Before operation, inspect the fixture for transportation damage. Do not use it if damaged. Unauthorized modification or improper use is not covered by warranty.

- Environment

The fixture is IP65-rated, suitable for indoor/outdoor use, and can operate in humid or dusty areas. Keep it away from excessive heat, fire, vibration, electrical surges, and strong light.

- Personnel & operation

Installation and operation must be performed by qualified personnel. Ensure all covers are securely in place, wear protective gear, and do not open the housing or attempt self-maintenance.

- Optical safety

Do not look directly into the light source. Do not use with dimmer packs. Maintain a minimum distance of 20 m from illuminated surfaces, and replace damaged optical components immediately.

- Electrical safety

Ensure correct voltage, proper grounding, and compliant power cords. Do not use damaged cables, and unplug by holding the plug. Avoid operating under heavy rain or extreme humidity, and avoid frequent on/off switching.

- Installation

Use the safety cord through the provided safety holes. Keep at least 50 cm ventilation clearance and do not mount on flammable surfaces or aim the beam at combustible objects (minimum 20 m).

- Temperature & normal conditions

Housing temperature may reach 45 – 75° C during operation. Slight smoke or odor may occur at first ignition and is considered normal.

2. Technical Specifications

Power

Input Voltage: AC100-240 V, 50/ 60 Hz

Power Consumption: 75W

Light source

Light Source: 60W RGBW LED

Color Temperature Output of Fixture: 11000 K

Life Expectancy: 20000 hours (factory rated)

Zoom Range

Zoom Range: 3.6° -43.4°

Control

Control mode: DMX512, master-slave, auto, sound, RDM

Channel: 8/ 12CH

Dimming/Strobe

Dimming: 0-100% linear dimming system

Strobe: Strobe speed adjustable

Housing

Housing: Aluminum

Protection rate: IP65

Working temperature

Working temperature: -10°C -45°C

Connection

Power connection: Powercon in/out

DMX connection: DMX 3-pin in/ out

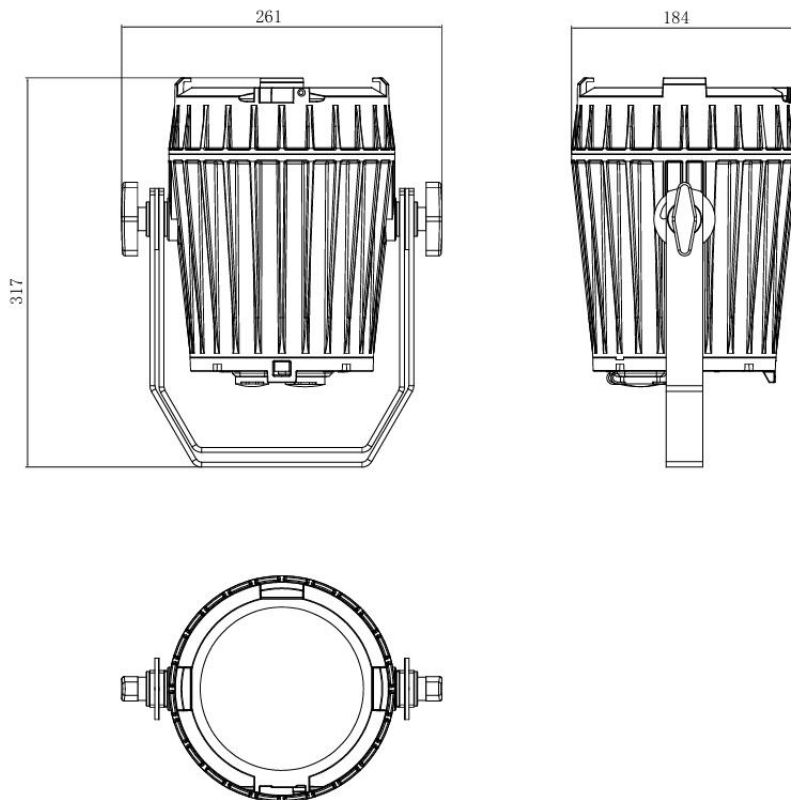
Product dimensions

261×184×317mm

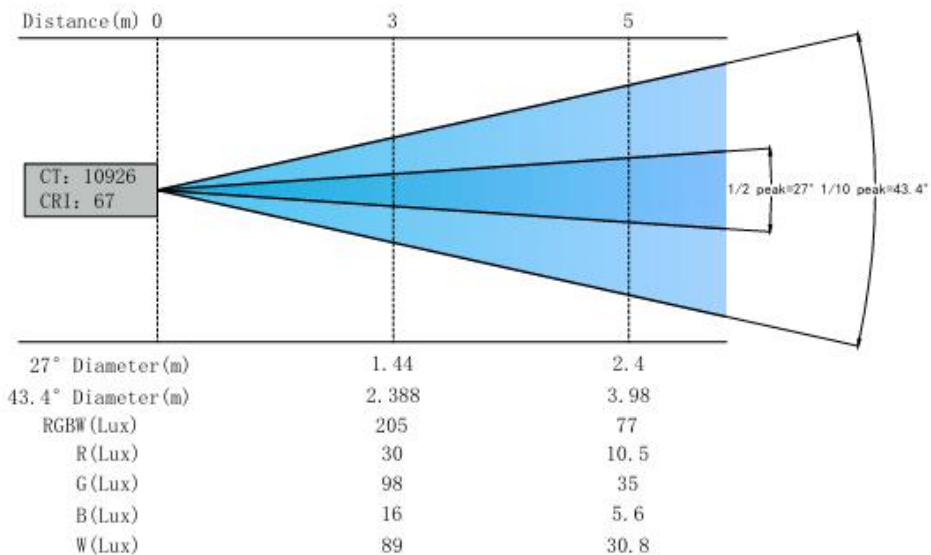
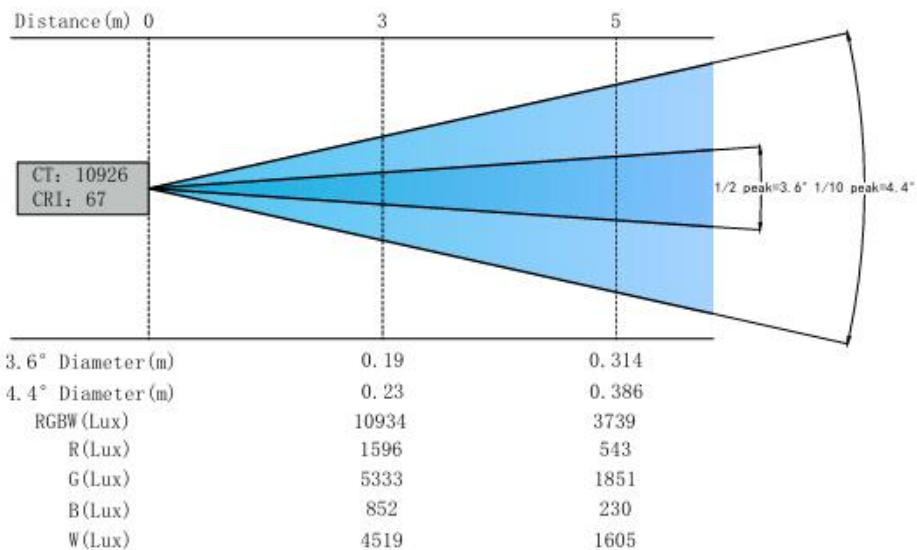
Net weight

4.6kg

Dimensions:

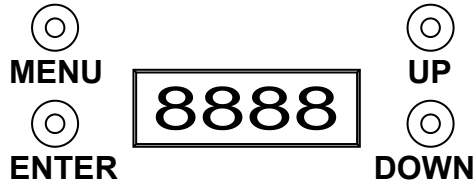


Light output:



3. Operation

3.1 Front panel operation:



MENU	To enter into move backward or leave the menu
UP	To go backward to move up in the menu
DOWN	To go forward to move down in the menu
ENTER	To perform the desired functions

Pressing any button from the home screen will show the selectable menu items from the menu map. When a menu function is selected, the display will immediately show the first available option for the selected menu function. To select a menu item, press <ENTER>.

Use the <UP> and <DOWN> buttons to navigate the menu options. Press the <ENTER> button to select the menu function currently displayed, or to enable a menu option. To return to the previous option or menu without changing the value, press the <MENU> button.

3.2 Board instruction:

Mode Options	User Settings	System Settings
DMX Addr	000-512	
Key ADJ	R	0-255
	G	0-255
	B	0-255
	W	0-255

Focus		0-255
Test Mode	DMX channel	12/8ch
	PROG	0-19
	PROG-SPEED	0-16
	Auto test	
	Sound 1	
	Sound 2	
	Sound 3	
Light ADJ	STD	
	SLOW	
Lang 语言	中文	
	EN	
FwVer		
System	V1.0	
Date		
Tiem		
Temp		

3.3 DMX address setting:

Each fixture must be assigned a unique DMX start address within the 001 – 512 range. The start address represents the first channel the fixture occupies. This product provides two DMX modes (8/ 12CH) channels; therefore, the next fixture’s start address must be calculated according to the number of channels used in the selected mode to avoid overlapping addresses.

For example, when operating in 4 channel mode, set Fixture 1 to 001, Fixture 2 to 005 Fixture 3 to 009, Fixture 4 to 013, etc.

DMX Mode	Fixture1	Fixture2	Fixture3	Fixture4	...
8CH	001	009	017	025	...
12CH	001	013	025	037	...

Connection of dmx-512 and connection with the light equipment

Please connect XLR-XLR control wire with every light from the output of DMX.

XLR connection :

DMX-OUTPUT



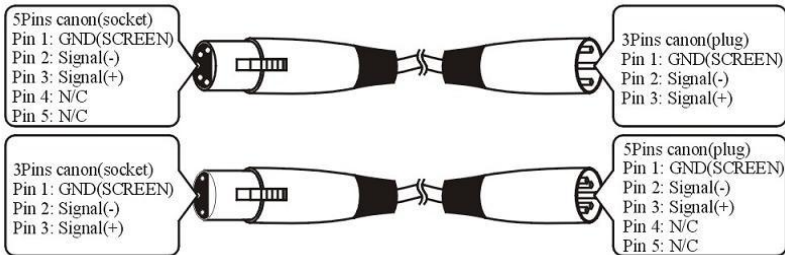
Pin 1: Screen
Pin 2: Signal -
Pin 3: Signal +

DMX-INPUT



Pin 1: Screen
Pin 2: Signal -
Pin 3: Signal +

ATTENTION: Please do remember to connect one circle circuit plug on the output signal of last equipment. And this circle circuit plug was connected a 120ohm resistance between terminals 2 and 3 of the CANON plug, connect this circle circuit plug can avoid the signal flash phenomena of signal DMX512 during the transmission.



4. DMX Protocol

8CH	12CH	Value	Function
1	1	0-255	Tatol dimmer
2	2	0-255	Strobe from slow to fast
3	3	0-255	Red from darkness to brightness
4	4	0-255	Green from darkness to brightness
5	5	0-255	Blue from darkness to brightness
6	6	0-255	White from darkness to brightness
	7	0-255	Gradual change from slow to fast
	8	0-255	Pulse change from slow to fast
	9	0-255	
7	10	0-255	Zoom range
8	11	0-255	Zoom speed from fast to slow
	12	0-255	Reset

5. Maintenance & Cleaning

Regular maintenance is essential to ensure optimal performance and extend the service life of the fixture.

5.1 Cleaning

Disconnect the unit from power before any cleaning work.

Use a soft, lint-free cloth slightly dampened with mild detergent to clean the exterior surfaces.

Gently remove dust from ventilation slots, optical lenses, and cooling components using compressed air or a soft brush.

Avoid using solvents, alcohol, or abrasive materials that may damage the housing or optical elements.

5.2 Lubrication

This fixture is designed with sealed or maintenance-free moving parts.

Under normal operating conditions, no additional lubrication is required.

If abnormal noise or movement resistance is observed, contact qualified service personnel before applying any lubricant.

5.3 Troubleshooting

If the fixture does not power on, verify the power supply, cables, and connectors.

For control issues, check DMX addressing, cable integrity, and ensure proper 3-pin/5-pin XLR connections.

Overheating or unexpected shutdown may indicate blocked ventilation; inspect and clean air inlets and outlets.

If problems persist after basic checks, discontinue use and contact authorized service technicians.



LEAHUA

Guangzhou Leahua Lighting Technology Ltd

Rm 1004, Building A
Baiyun Lake Future Technology Center
No.1 Xinghu Street, Shimen, Baiyun district
Guangzhou 510440, China
