



**Stellar 200**

**LH -ST200**

This manual contains important information.  
Please read before operating fixture.

Guangzhou Leahua Lighting Technology Ltd  
[http:// www.leahualighting.com](http://www.leahualighting.com)

# Index

1. Safety Instructions .....	2
2. Appearance .....	3
3. Technical Specifications .....	4
4. Operation .....	7
4.1 Front panel operation .....	7
5. DMX Protocol .....	9
6. Maintenance & Cleaning .....	10
6.1 Cleaning .....	10
6.2 Lubrication .....	10
6.3 Troubleshooting .....	10

## Accessories

Name	Quantity	Remark
User manual	1pc	
Power cable	1pc	
DMX signal cable	1pc	
Safety cord	1pc	Optional

# 1. Safety Instructions

**WARNING!!! To reduce the risk of fire, electric shock, or injury to persons, follow these important safety instructions:**

- Check before use

Before operation, inspect the fixture for transportation damage. Do not use it if damaged. Unauthorized modification or improper use is not covered by warranty.

- Environment

The fixture is IP65-rated, suitable for indoor/outdoor use, and can operate in humid or dusty areas. Keep it away from excessive heat, fire, vibration, electrical surges, and strong light.

- Personnel & operation

Installation and operation must be performed by qualified personnel. Ensure all covers are securely in place, wear protective gear, and do not open the housing or attempt self-maintenance.

- Optical safety

Do not look directly into the light source. Do not use with dimmer packs. Maintain a minimum distance of 20 m from illuminated surfaces, and replace damaged optical components immediately.

- Electrical safety

Ensure correct voltage, proper grounding, and compliant power cords. Do not use damaged cables, and unplug by holding the plug. Avoid operating under heavy rain or extreme humidity, and avoid frequent on/off switching.

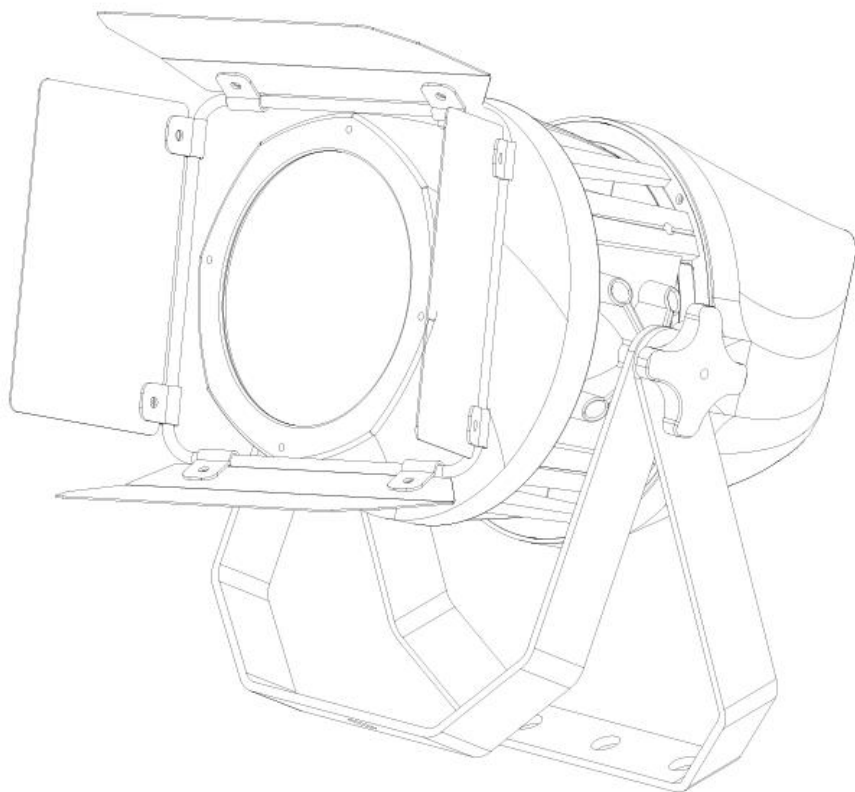
- Installation

Use the safety cord through the provided safety holes. Keep at least 50 cm ventilation clearance and do not mount on flammable surfaces or aim the beam at combustible objects (minimum 20 m).

- Temperature & normal conditions

Housing temperature may reach 45 – 75° C during operation. Slight smoke or odor may occur at first ignition and is considered normal.

## 2. Appearance



## 3. Technical Specifications

### Power

Input Voltage: AC110-220 V, 50/ 60 Hz

Power Consumption:250W

### Light source

Light Source:200W COB LED

Color Temperature Output of Fixture: 3100K

CRI>90

Life expectancy: 50000Hrs( factory rated)

### Beam Angle

Beam Angle:39°

Field Angle: 92°

### Control

Display: Digital Display

Control mode:DMX512,Master-slave,Sound,Auto

Channel: 2CH

### Dimming/Strobe

Dimming: 0-100% linear dimming system

Strobe: 0-20 F.P.S, speed adjustable

### Other Function

Cooling System: Low noise and efficient fan cooling system

Refresh Rate: 4000Hz, flick free for TV and Studio

### Housing

Housing: Aluminum alloy

Protection rate: IP65

### Working temperature

Stellar 200

Working temperature: -10°C-45°C

### Connection

Power connection: Powercon in/out

DMX connection: DMX 3-pin in/ out

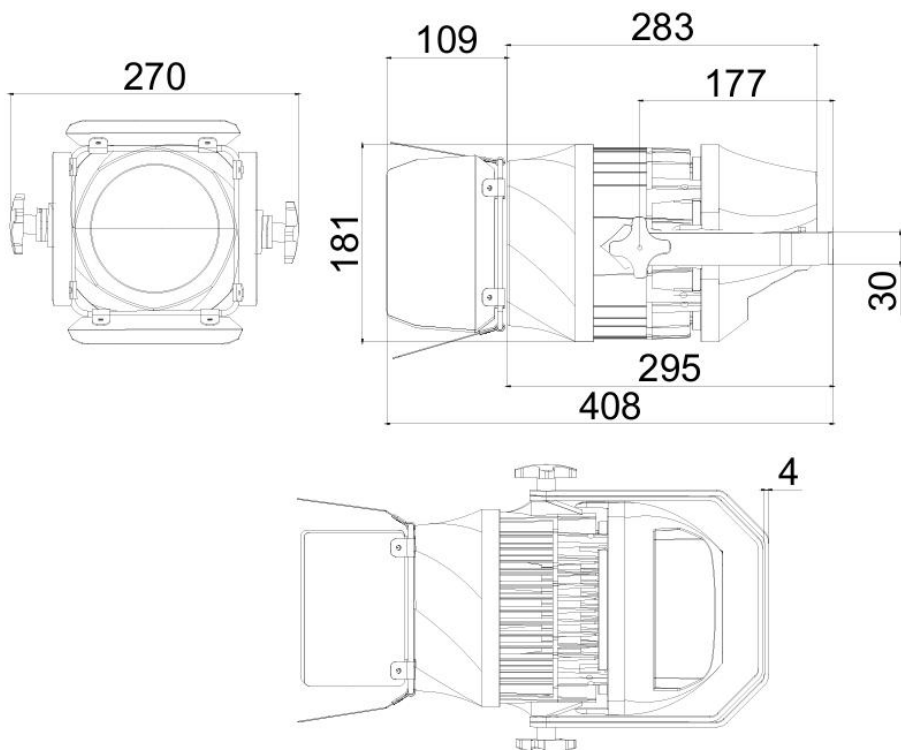
### Product dimensions

270×181×295mm

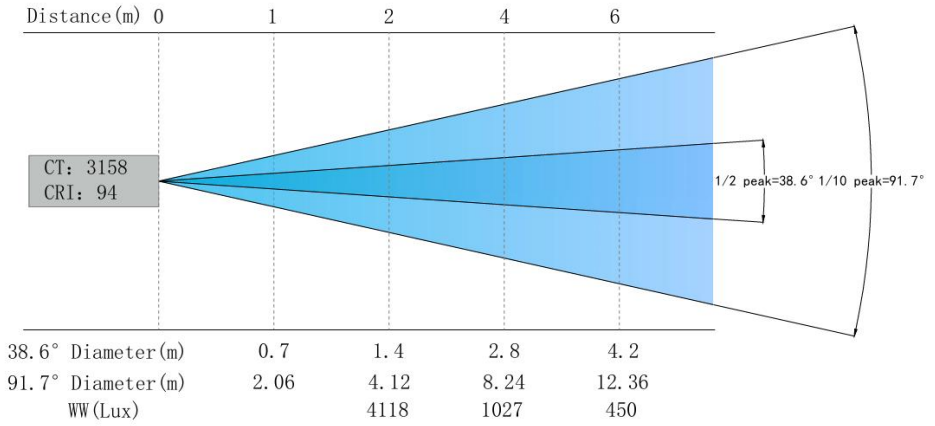
### Net weight

6kg

### Dimensions:

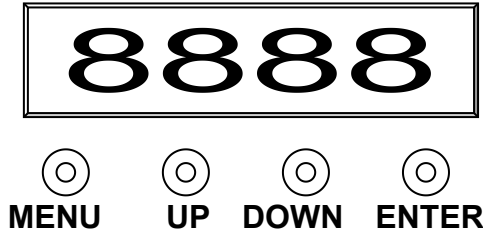


### Light output:



# 4. Operation

## 4.1 Front panel operation:



1~Press MENU Can circulate 9 different functions. The front 2Digits mean the function it has. (Please see the function form as follow.) And the last 2Digits mean the function’s address, speed or parameter. Press UP or DOWN can change the value. And press ENTER to confirm.

2~Press MENU more than 2sec. The 2Digit number will flash. Then press UP or DOWN can change the value quickly. Then press the ENTER to save the value you want. If you don’t want to save the value, press MENU more than 2sec. is okay.

NO.	Display	Function
1	d001	DMX address (001—512)
2	L255	Dimmer
3	P255	(0-127) strobe from slow to fast; (128-255) strobe from slow to fast
4	EP00/01	EP00 is retained, EP01 is not retained
5	DP00/01	Display protect On/Off, DP00 the digital tube does not light up. DP01 Steady on
6	DISP	Display invert setting
7	NT00	Displays the current working temperature of the lamp bead

LED display function comparison (In the A001 mode, press MENU more than 10 seconds can change the value. And press ENTER to save the exit)

<b>NO.</b>	<b>Display</b>	<b>Function</b>
1	W235	White Electricity(20-255)
2	E150	Control console dimmer(0-255)
3	C-60	Set temperature(40-70)°

## 5. DMX Protocol

### 2CH

<b>CH</b>	<b>Function</b>	<b>Introduction</b>
CH1	Dimming	Dimming 0-100%
CH2	Shutter	Shutter effect from slow to fast

## **6. Maintenance & Cleaning**

Regular maintenance is essential to ensure optimal performance and extend the service life of the fixture.

### **6.1 Cleaning**

Disconnect the unit from power before any cleaning work.

Use a soft, lint-free cloth slightly dampened with mild detergent to clean the exterior surfaces.

Gently remove dust from ventilation slots, optical lenses, and cooling components using compressed air or a soft brush.

Avoid using solvents, alcohol, or abrasive materials that may damage the housing or optical elements.

### **6.2 Lubrication**

This fixture is designed with sealed or maintenance-free moving parts.

Under normal operating conditions, no additional lubrication is required.

If abnormal noise or movement resistance is observed, contact qualified service personnel before applying any lubricant.

### **6.3 Troubleshooting**

If the fixture does not power on, verify the power supply, cables, and connectors.

For control issues, check DMX addressing, cable integrity, and ensure proper 3-pin/5-pin XLR connections.

Overheating or unexpected shutdown may indicate blocked ventilation; inspect and clean air inlets and outlets.

If problems persist after basic checks, discontinue use and contact authorized service technicians.



**LEAHUA**

Guangzhou Leahua Lighting Technology Ltd

---

---

Rm 1004, Building A  
Baiyun Lake Future Technology Center  
No.1 Xinghu Street, Shimen, Baiyun district  
Guangzhou 510440, China

---

---